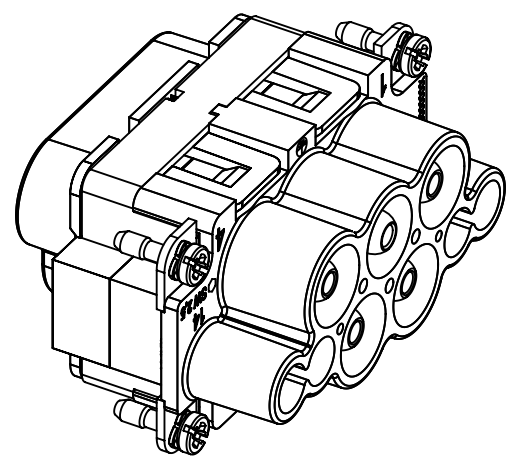
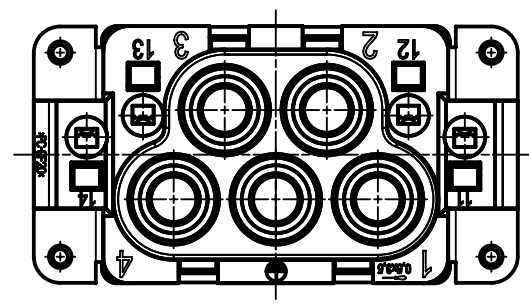
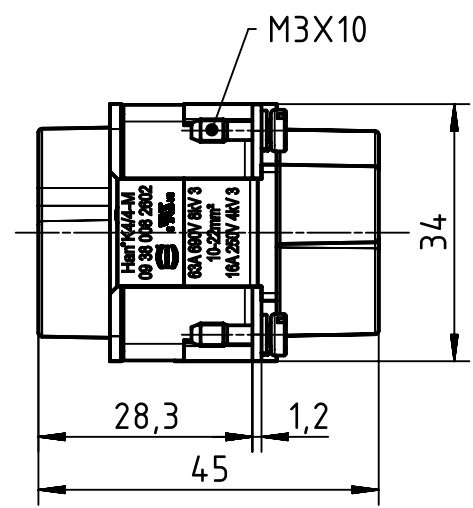
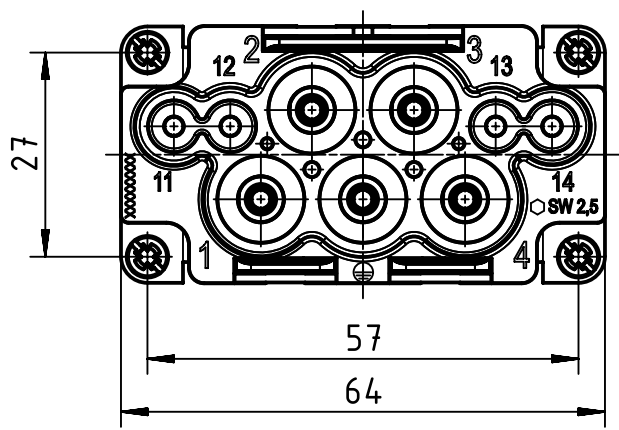


A

B

C

D



	All Dimensions in mm Original Size DIN A4		Scale 1:1	Free size tol.		Ref.
			Created by HELLMANN	Inspected by NICHTERLEIN	Standardisation SCHMIDTM	Date 2017-06-30
All rights reserved Department EL PD - DE		Title Han K4/4-M 10-22mm² berührsicher			State Final Release	
HARTING Electric GmbH & Co. KG D-32339 Espelkamp		Type TB			Number 09 38 008 2602	
					Doc-Key / ECM-Nr. 100169810/UGD/004/D 500000121121	Rev. D
					Page 1/1	