

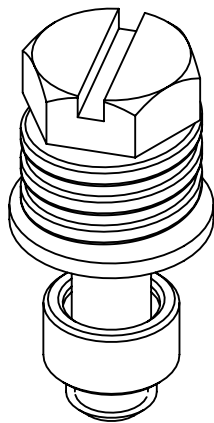
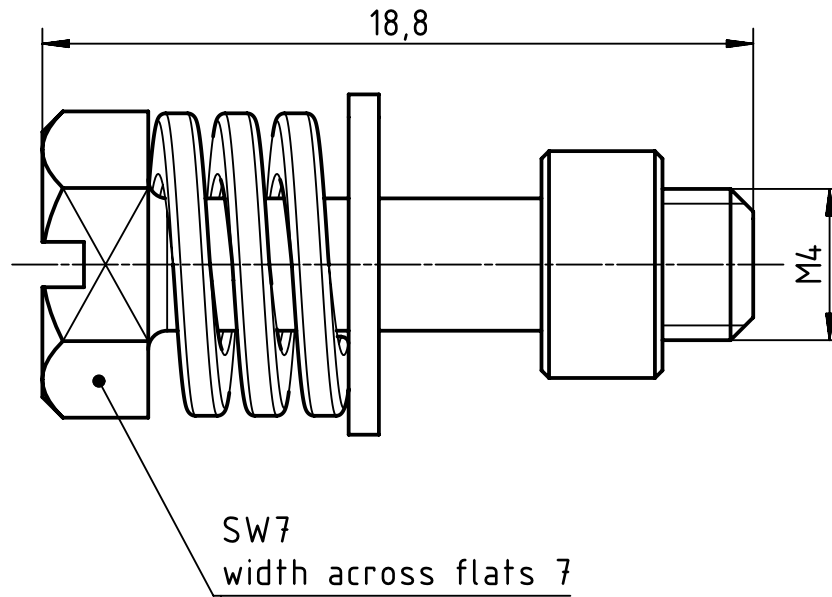
1 2 3 4 5 6

A

B

C

D



all parts are delivered loose

	All Dimensions in mm Original Size DIN A4		Scale 5:1	Free size tol.		Ref. Sub. TB 09 40 000 9929 v. 08.01.09		
		All rights reserved Department EL PD		Created by SPRENB	Inspected by GERB	Standardisation GARSKE	Date 2020-02-26	State Final Release
HARTING Electric GmbH & Co. KG D-32339 Espelkamp		Title Han 3HPR Screw Locking Element				Doc-Key / ECM-Nr. 100172300/UGD/004/B 500000167396		
				Type TB	Number 09 40 000 9929		Rev. B	Page 1/1