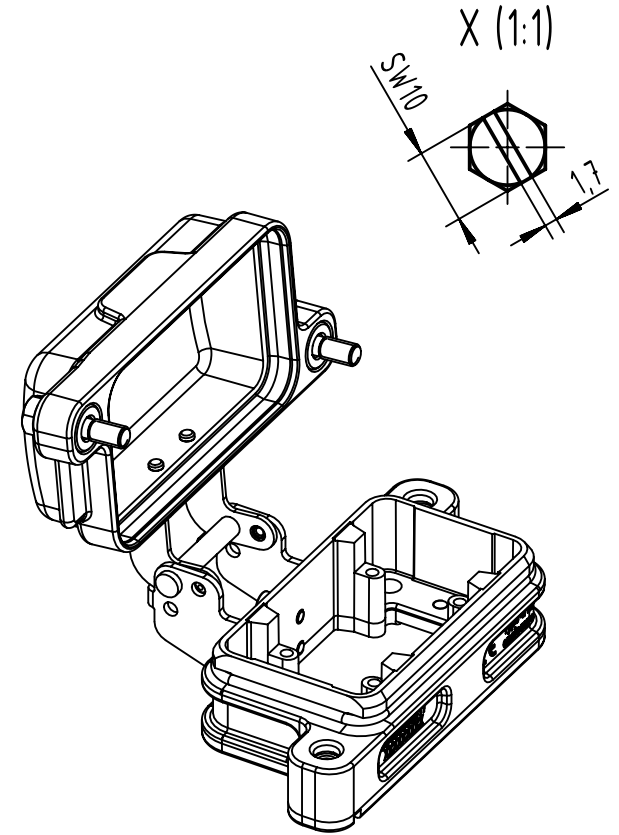
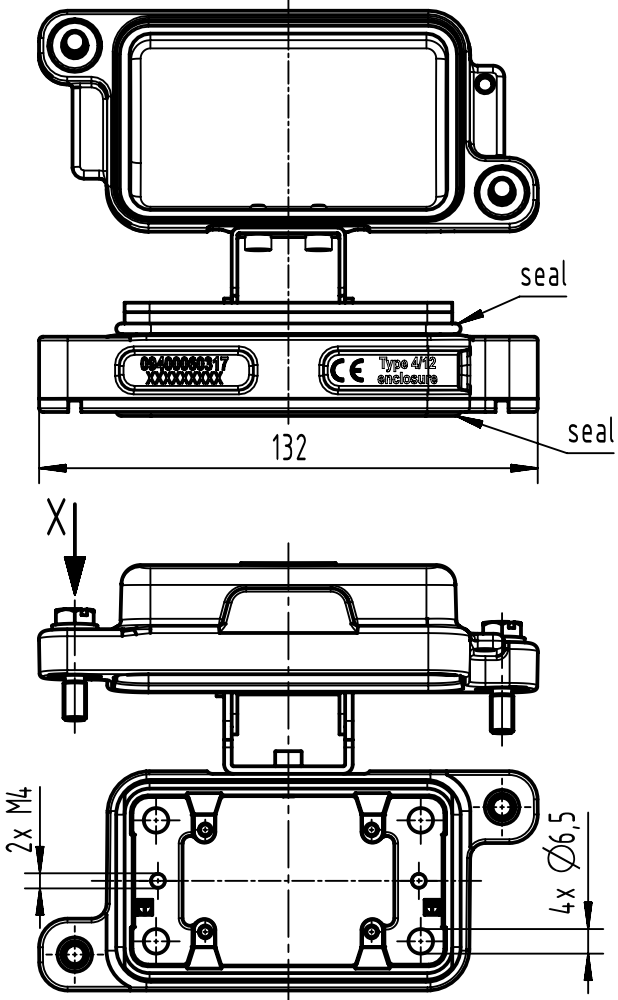
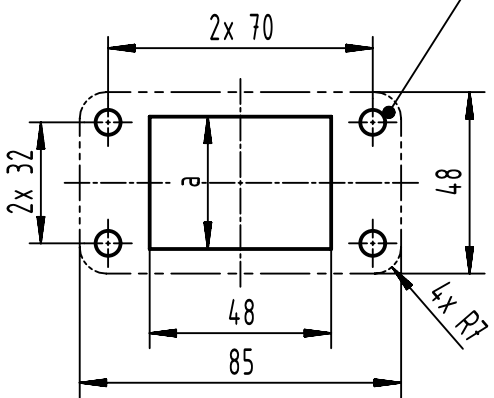


panel cut out  
(1:2)  
for EMC features,  
conductive surface



application	a
standard insert	35
HC-Modular 650	44,5

	All rights reserved Department EL PD	All Dimensions in mm Original Size DIN A4		Scale 1:2	Free size tol.	Ref. Sub.
		Created by SPRENB	Inspected by GERB	Standardisation SAP_WFRT	Date 2022-02-15	State Final Release
HARTING D-32339 Espelkamp		Title Han 6HPR Base Panel Screw lock. Cover				Doc-Key / ECM-Nr. 100209963/UGD/004/H 500000209854
		Type TB	Number 09 40 006 0317		Rev. H	Page 1/1