

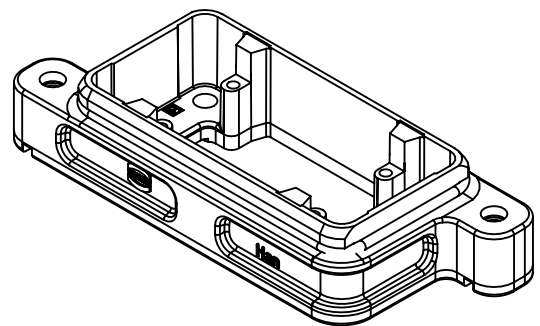
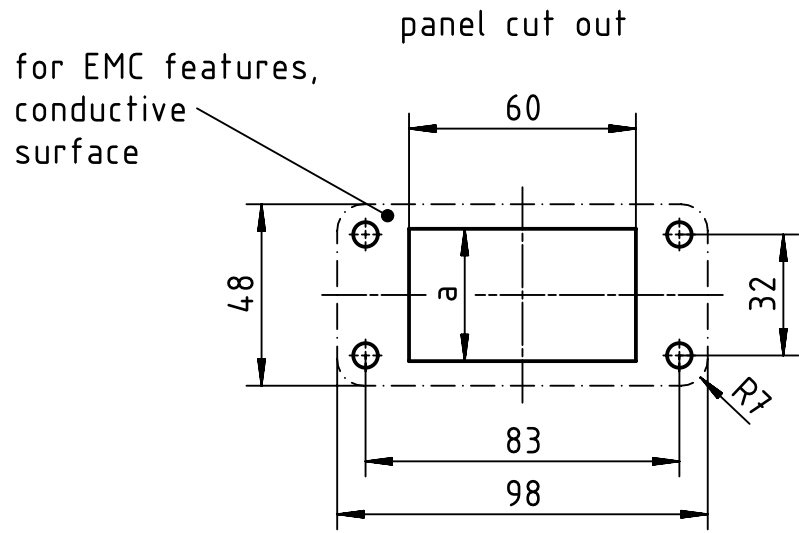
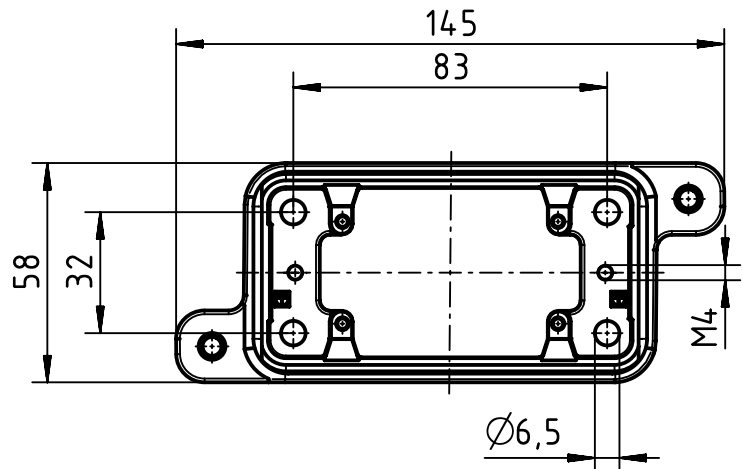
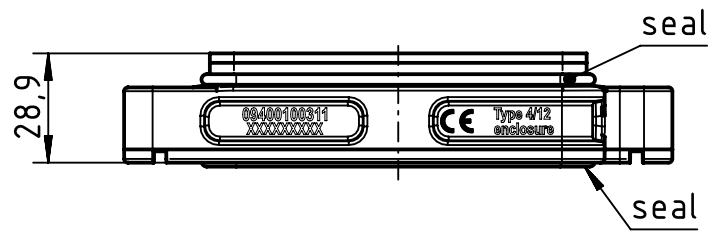
1 2 3 4 5 6

A

B

C

D



| | |
|-----------------|------|
| application | a |
| standard insert | 35 |
| HC-Modular 650 | 44,5 |

| | | | | | |
|--------------------------------------|--|--|----------------------|---------------------------|--|
| | All rights reserved Department EL PD HARTING Electric GmbH & Co. KG D-32339 Espelkamp | All Dimensions in mm Original Size DIN A4 | Scale 1:2 | Free size tol. | Ref. Sub. |
| | | Created by SPRENB | Inspected by GERB | Standardisation 302077 | Date 2020-10-26 |
| Title Han 10HPR-HBM-Screw locking | | | | | Doc-Key / ECM-Nr. 100209590/UGD/004/E 500000181065 |
| Type TB | | Number 09 40 010 0311 | | | Rev. E |
| | | | | | Page 1/1 |