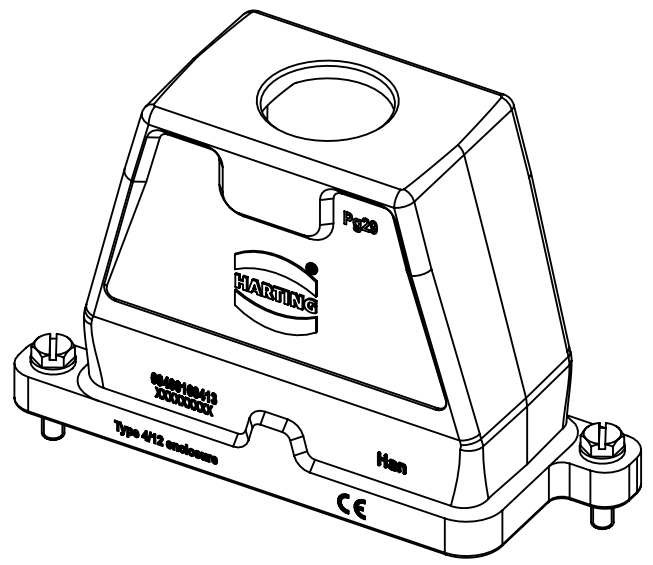
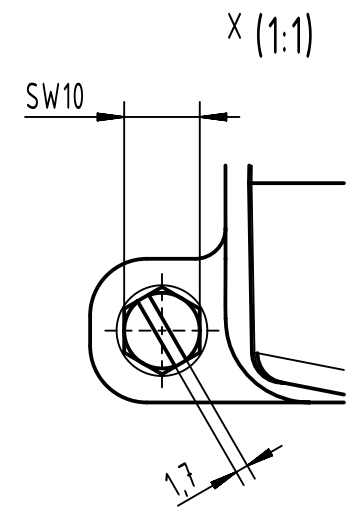
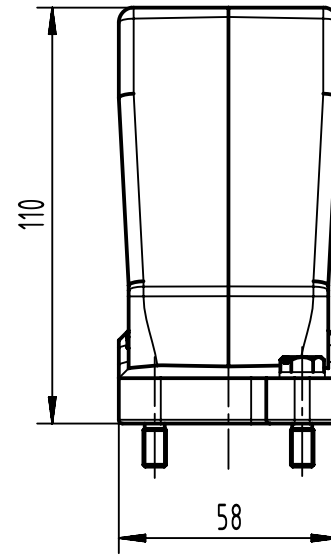
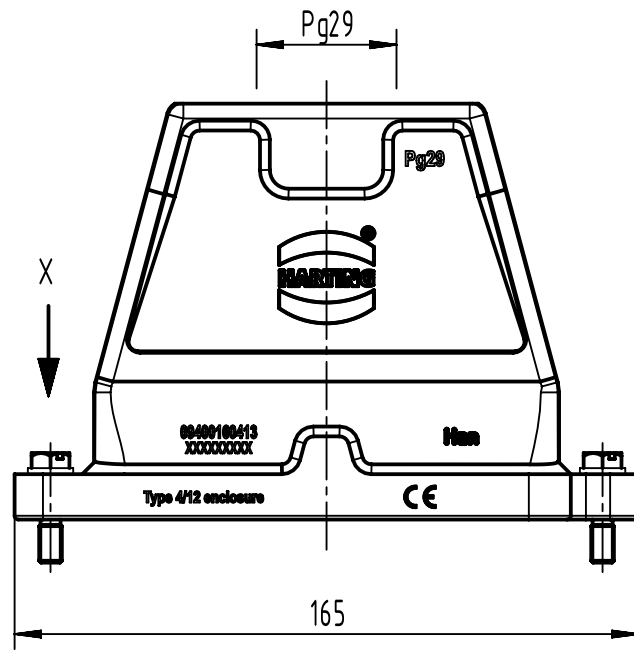


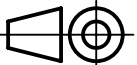

A

B

C

D



| | | | | | |
|--|----------------------|----------------|-----------------|--------------------------------------|---------------|
|  All Dimensions in mm Original Size DIN A4 | Scale | Free size tol. | | Ref. | |
| | 1:2 | | | Sub. | |
|  All rights reserved Department EL PD | Created by | Inspected by | Standardisation | Date | State |
| | HELLMANN | GERB | 302077 | 2020-12-15 | Final Release |
| HARTING D-32339 Espelkamp | Title | | | Doc-Key / ECM-Nr. | |
| | Han 16HPR-HTE-SCL-29 | | | 100170348/UGD/004/C 500000184.040 | |
| Type | | Number | | Rev. | Page |
| TB | | 09 40 016 0413 | | C | 1/1 |