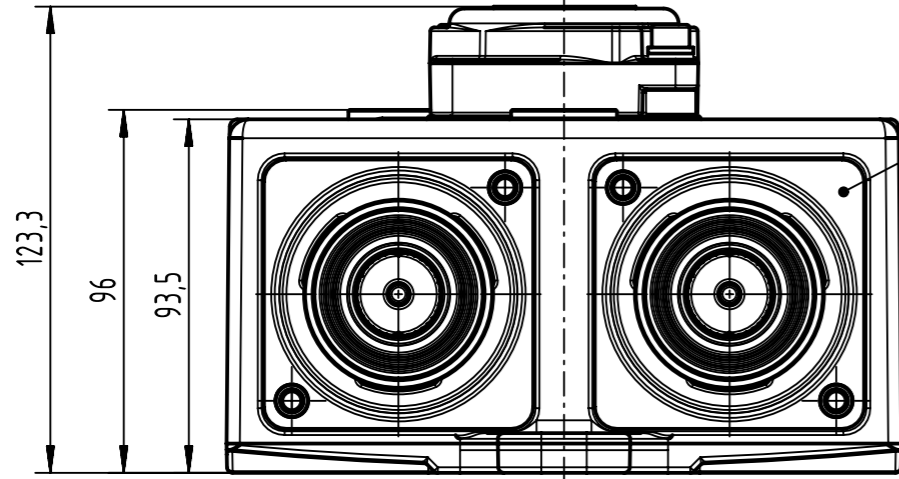


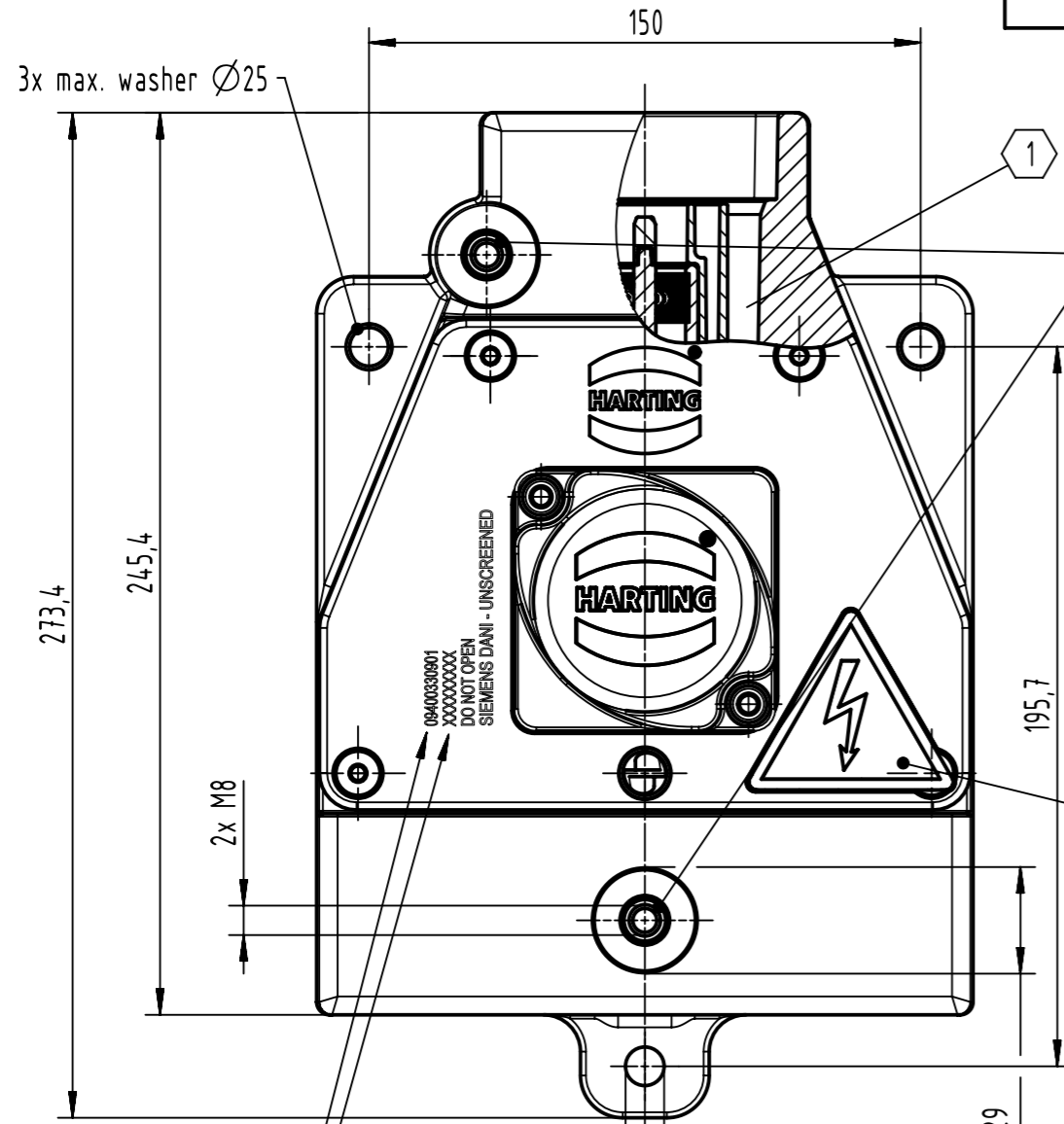
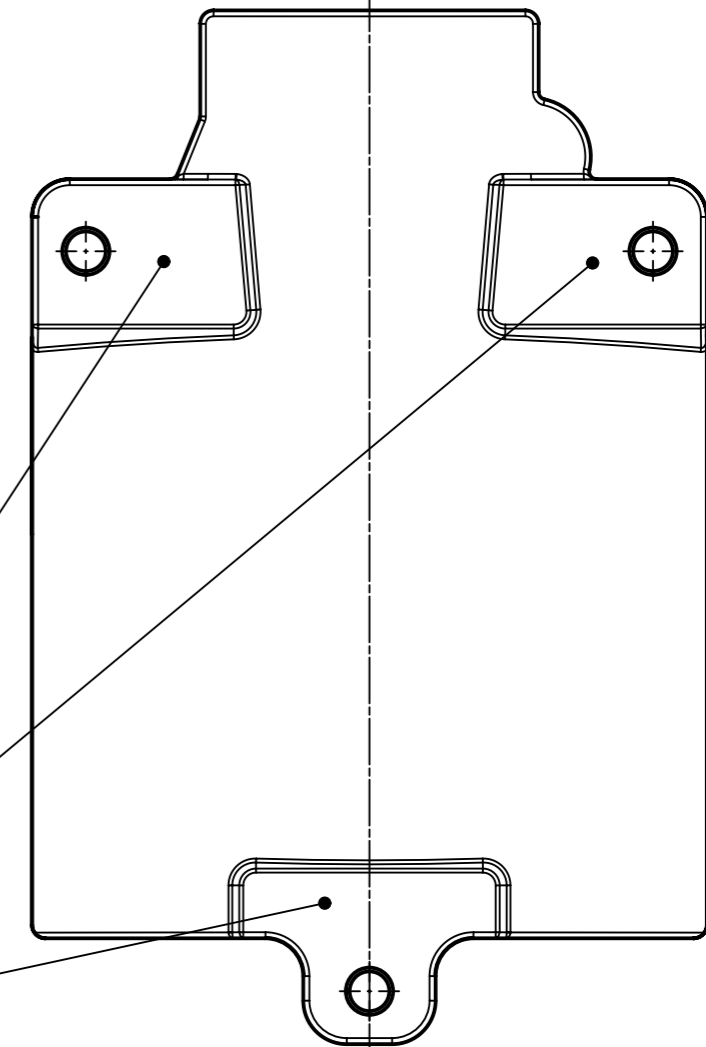
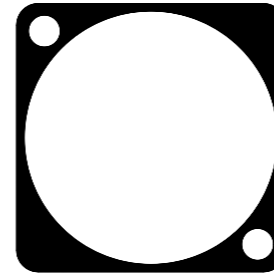
**Y-distributor sealed
do not open**



3x potential transition
① only use corrosion inhibitor included
free of lacquer

Face to put inhibitor on:

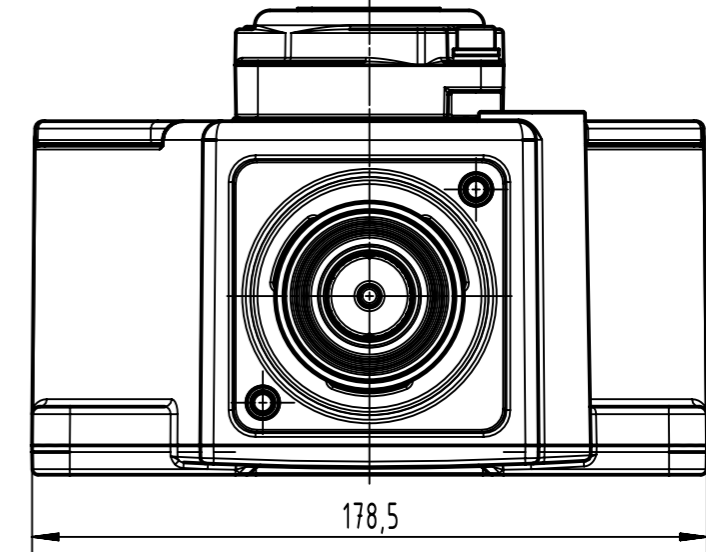
Important: no inhibitor
allowed on inside diameter or
on the insulating body



2x PE threaded insert: 14,5mm deep
free of lacquer (area 429 mm²)
tightening torque: 15Nm

3x potential transition
free of lacquer (area ~1850 mm²)
① only use corrosion inhibitor included

electricity warning sign
DIN 7010



0940030901
XXXXXXXXXX
DO NOT OPEN
SIEMENS DANI - UNSCREENED

part number
traceability code

corrosion inhibitor
enclosed separately
tube design
may differ from
original



① unscreened

Coating ①	A=	mm ²	V=	mm ³	m=	6050g	Mat.		
	All Dimensions in mm Original Size DIN A3		Scale 1:2	Free size tol.		Ref.		Sub.	
	All rights reserved Department EL PD		Created by DEIMEL	Inspected by 104260	Standardisation	Date 2023-03-28	State Final Release		Doc-Key / ECM-Nr. 100844219/UGD/001/E 50000240763
HARTING D-32339 Espelkamp		Title Han TPL 800 Y-distributor		Type TB	Number 09 40 033 0901		Rev. E	Page 1/1	