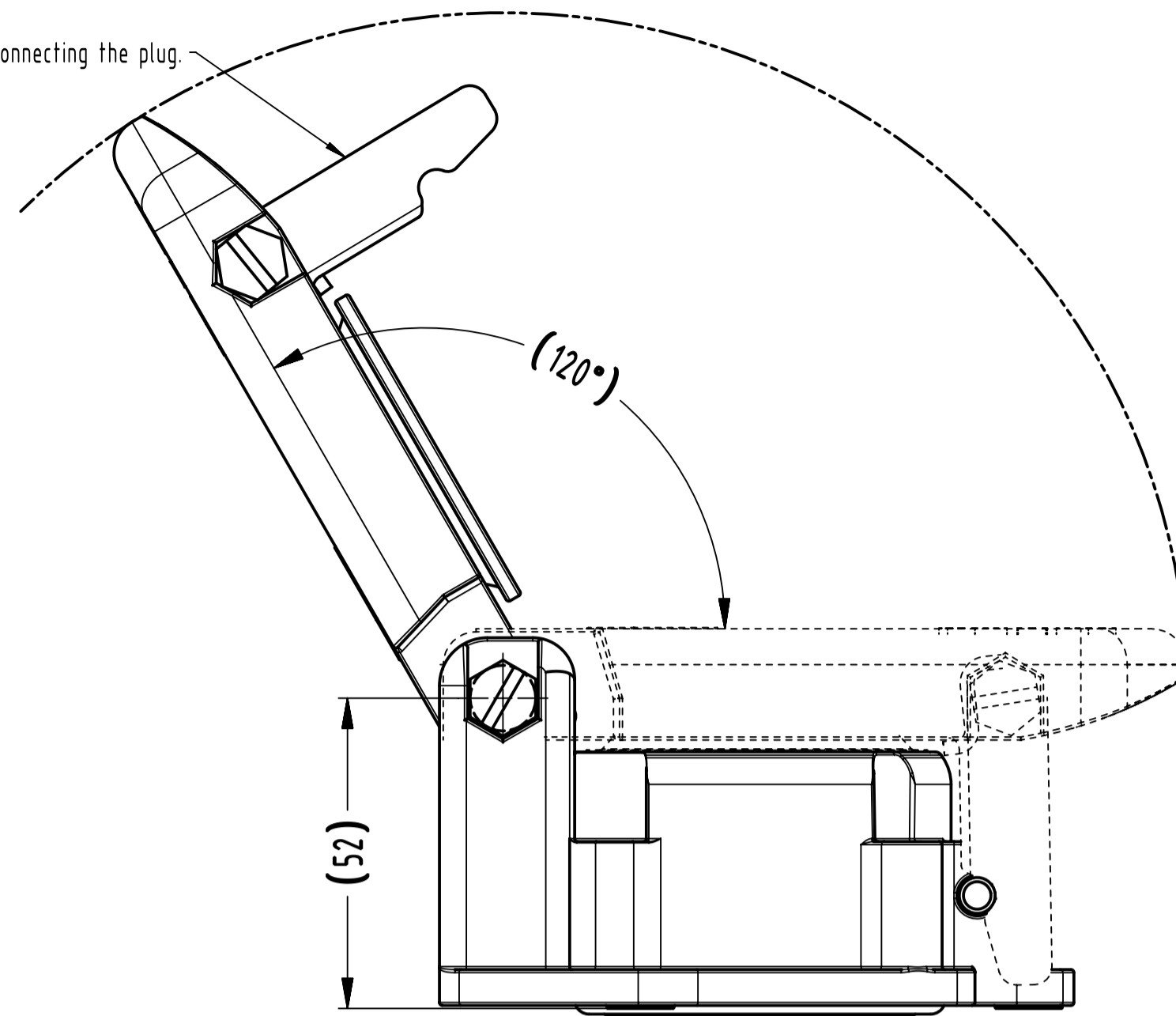
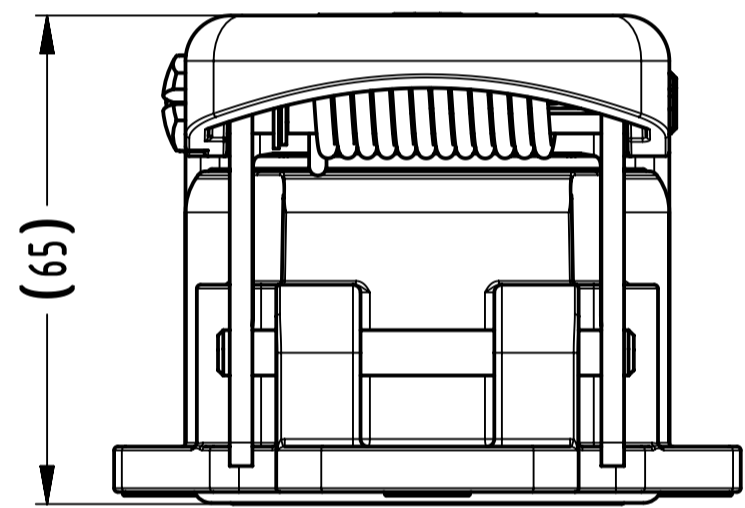


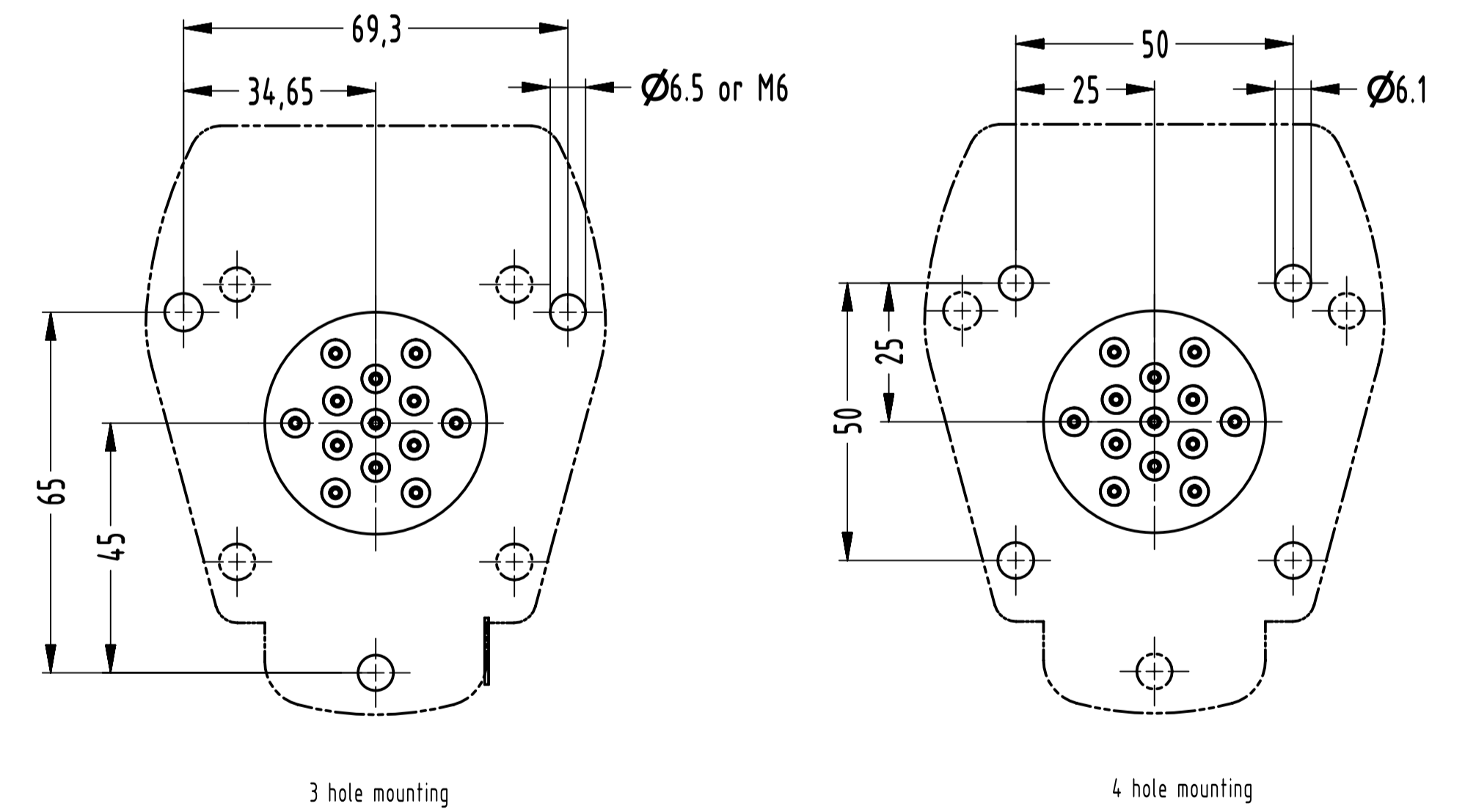
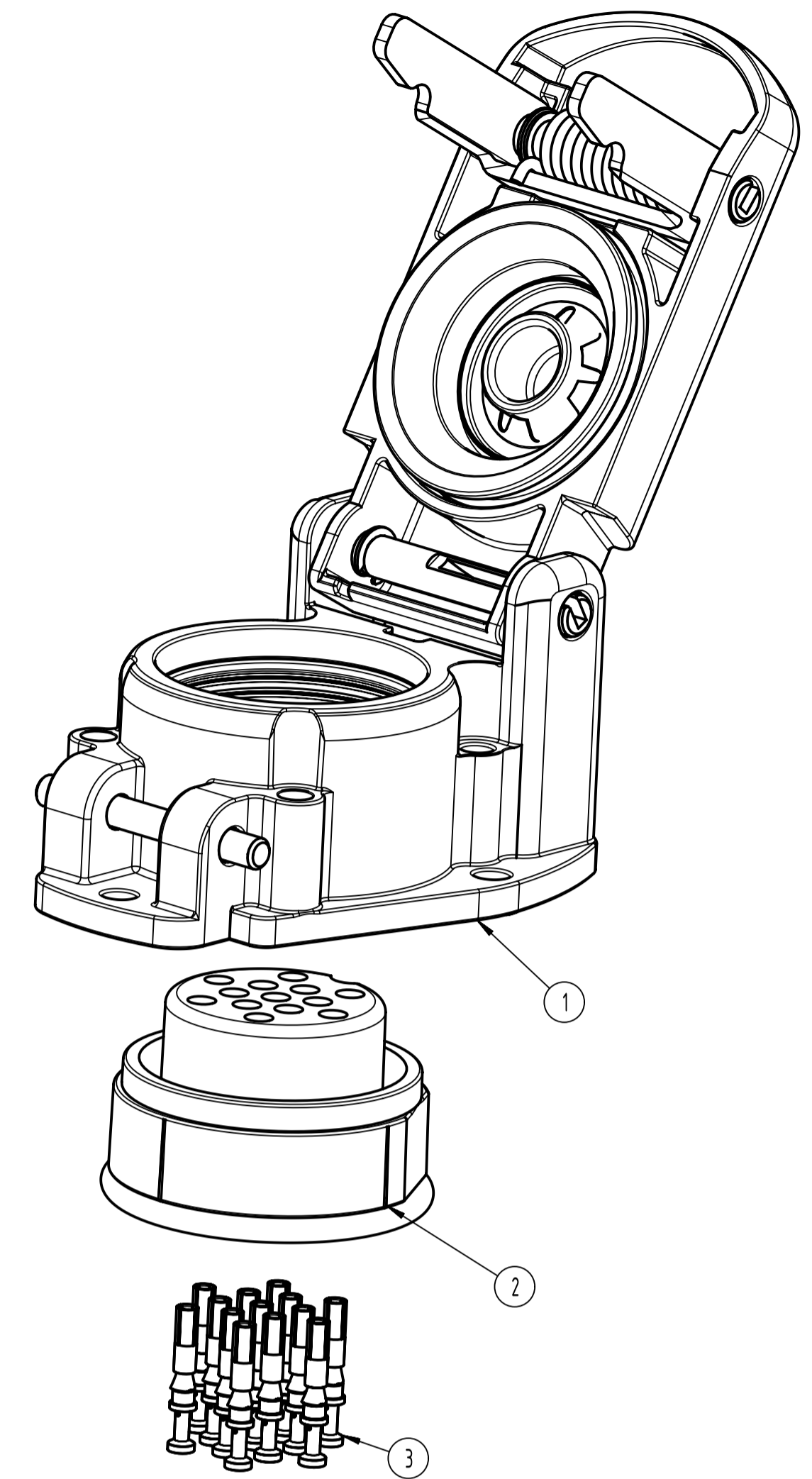
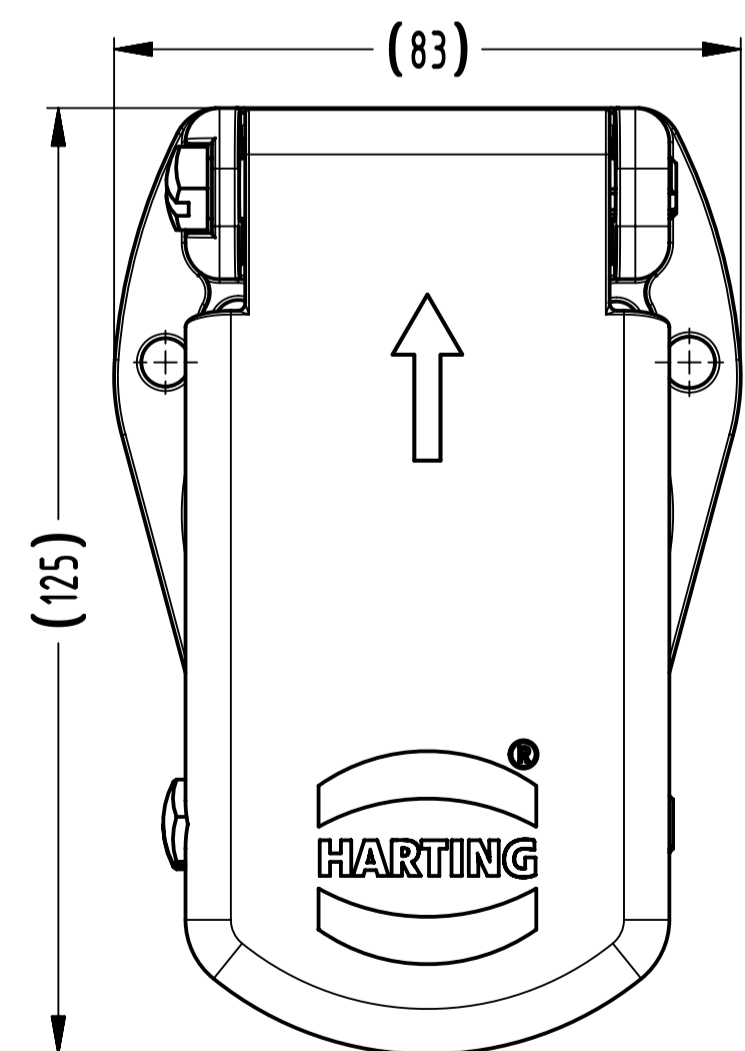
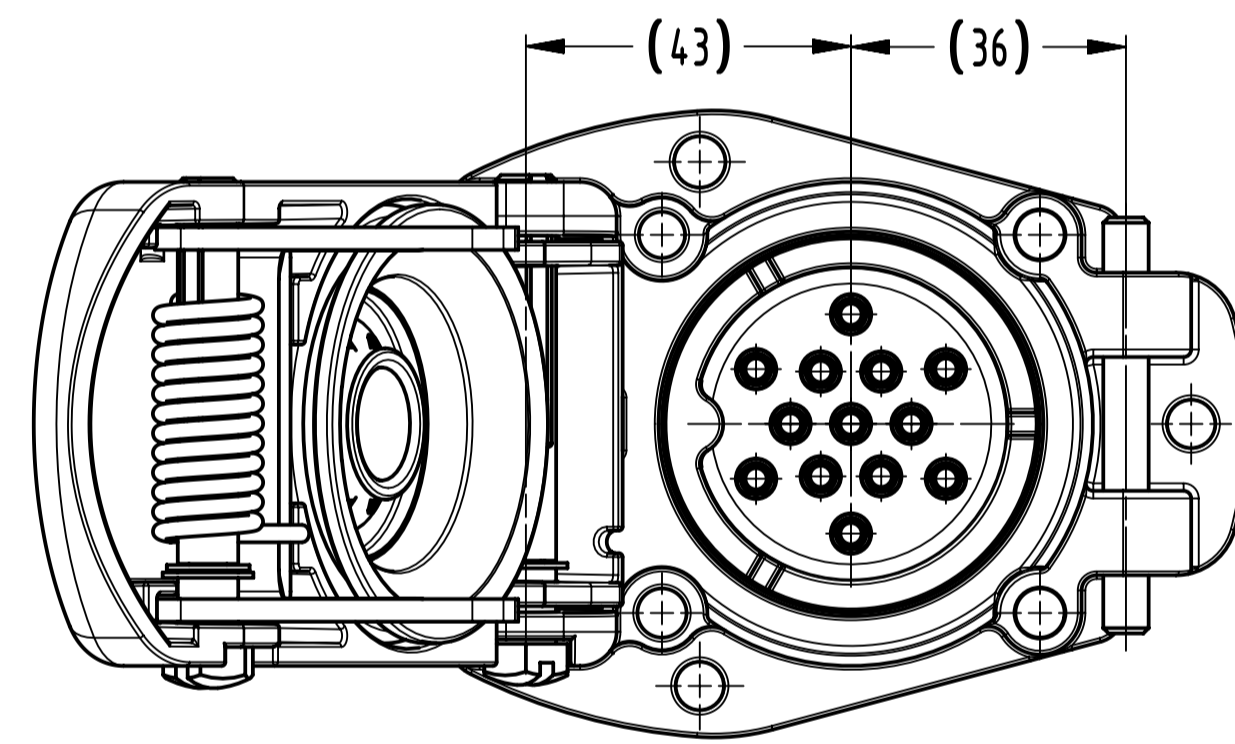
Catch against stop when disconnecting the plug.



Lid at opened condition



Lid at closed condition



S. No.	Part number	Part description	UOM	QTY/ ASSY
1	09 58 001 0301	UIC558-HBM/CM-13PIN	PC	1
2	09 58 013 3101	UIC558-13PIN-FI-CRT	PC	1
3	09 58 000 6605	UIC558-FC-CRT-0.75-1.0 mm ² /18 AWG-NI	PC	13

Refer data sheet for product specification

All Dimensions in mm Original Size DIN A1		Scale 1:1	Free size tol.	Ref. Sub.
All rights reserved		Created by Kraussnorthy	Inspected by Kraussnorthy	Standarisaton ROEBEN Stoeben
Department EL_PD		Date 2021-12-21	State Final Release	Doc-Key / ECM-Nr. 10095485/UGD/000/A 1000020858
HARTING D-32339 Espelkamp		Title UIC 558 13PIN SOCKET KIT-FC-NI	Type TB	Number 09 58 013 1003
		Rev A	Page 1/1	