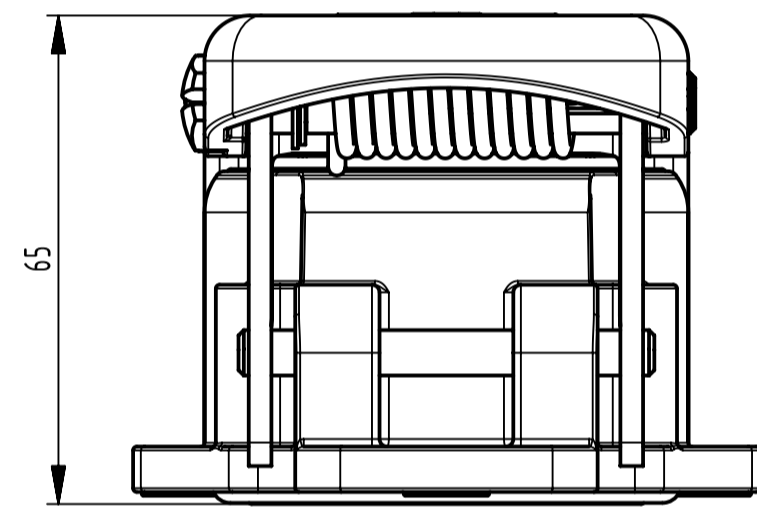
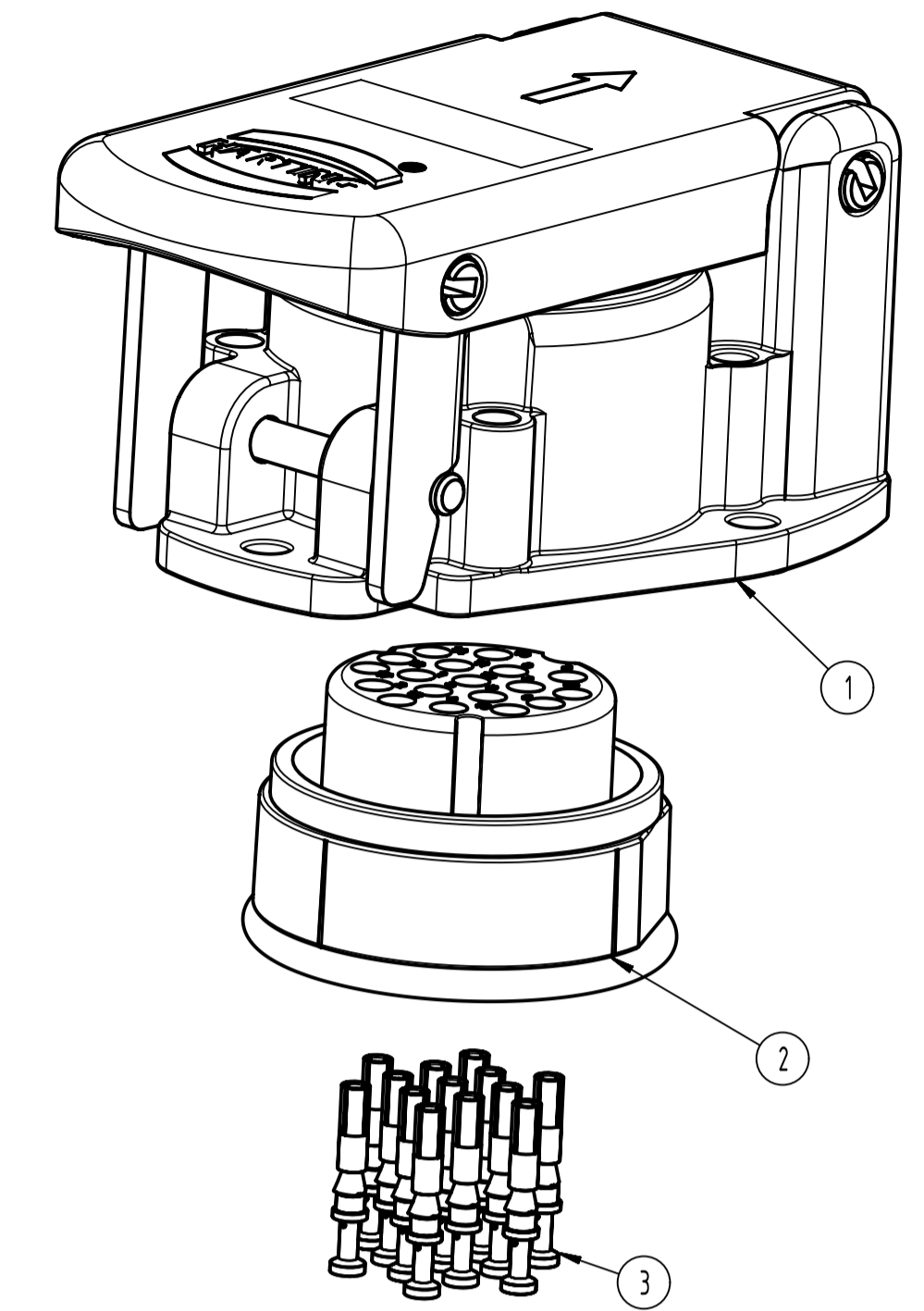
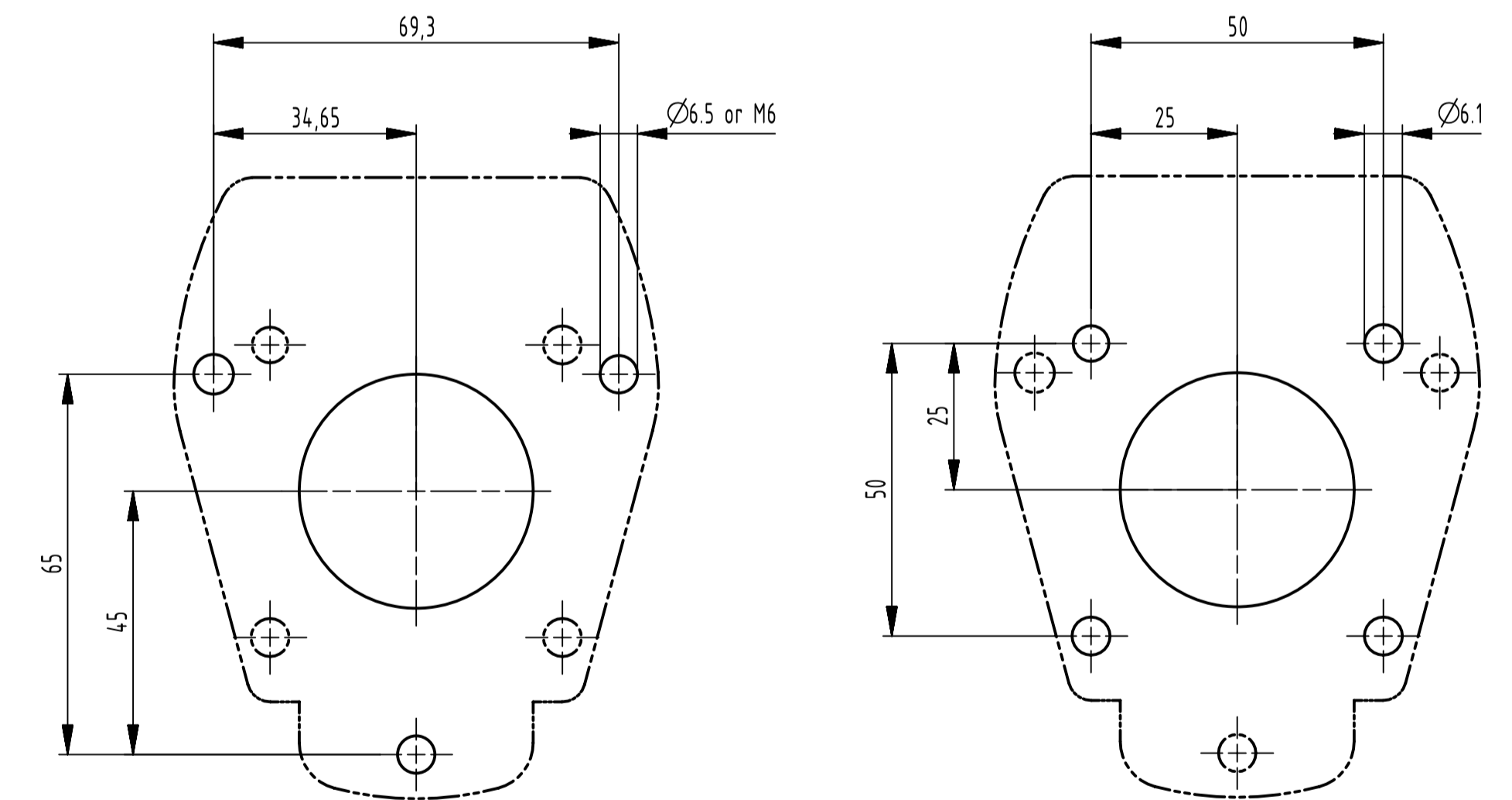
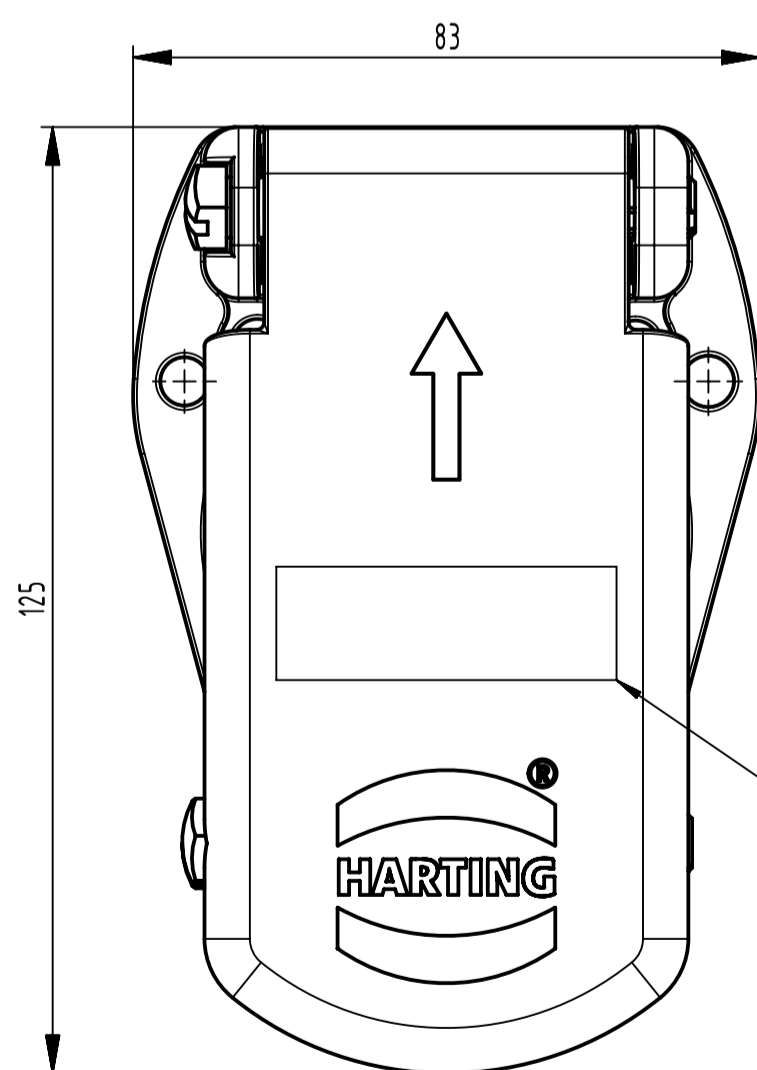
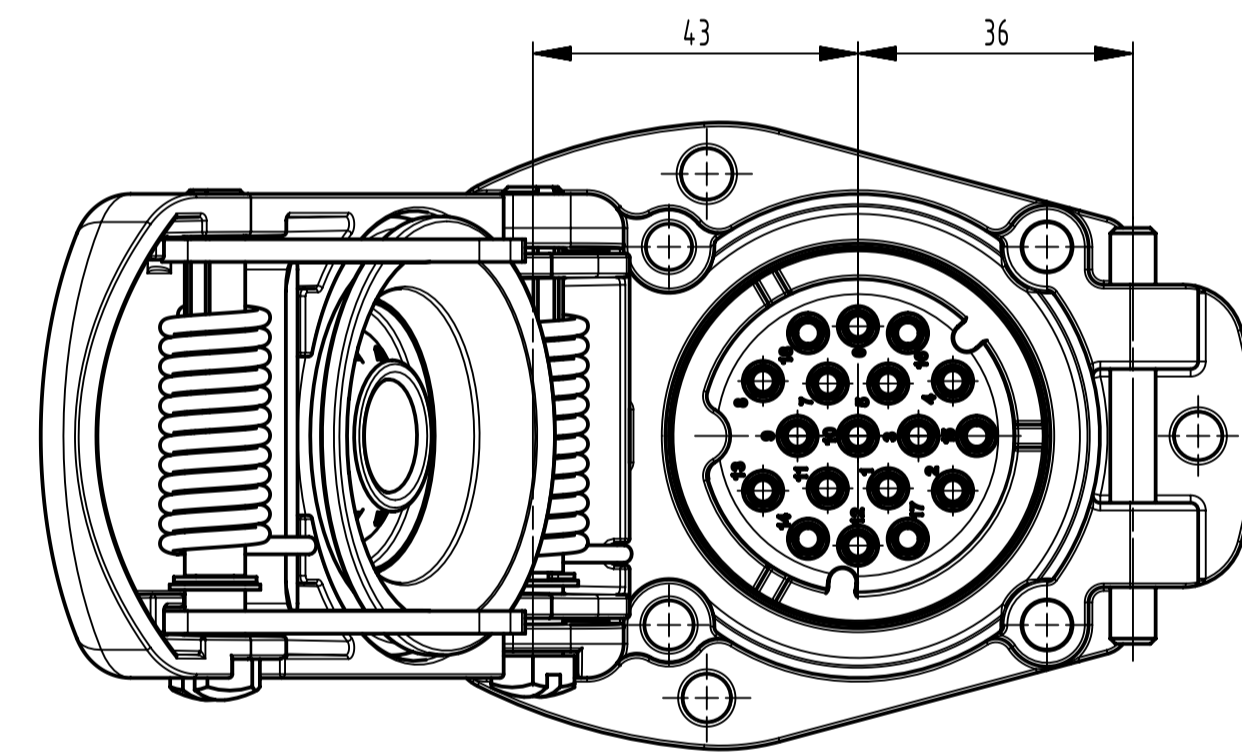


Lid at opened condition



Lid at closed condition



3 hole mounting

4 hole mounting

Refer data sheet for product specification

S. No.	Part number	Part description	UOM	QTY/ ASSY
1	09 58 001 0302	UIC558-HBM/CM-18PIN	PC	1
2	09 58 018 3101	UIC558-18PIN-FI-CRT	PC	1
3	09 58 000 6605	UIC558-FC-CRT-0.75-1.0 mm ² /18 AWG-NI	PC	18

All Dimensions in mm Original Size DIN A1		Scale 1:1	Free size tol.		Ref. Sub.
All rights reserved		Created by Kochmann	Inspected by Kochmann	Standarisisation ROEBEN Söben	Date 2022-02-03
Department EL PD		Title UIC 558 18PIN SOCKET KIT-FC-NI		State Final Release	
HARTING D-32339 Espelkamp		Type TB	Number 09 58 018 1003		Doc-Key / ECM-Nr. 10099119/UGD/000/A 1000020983
				Rev A	Page 1/1