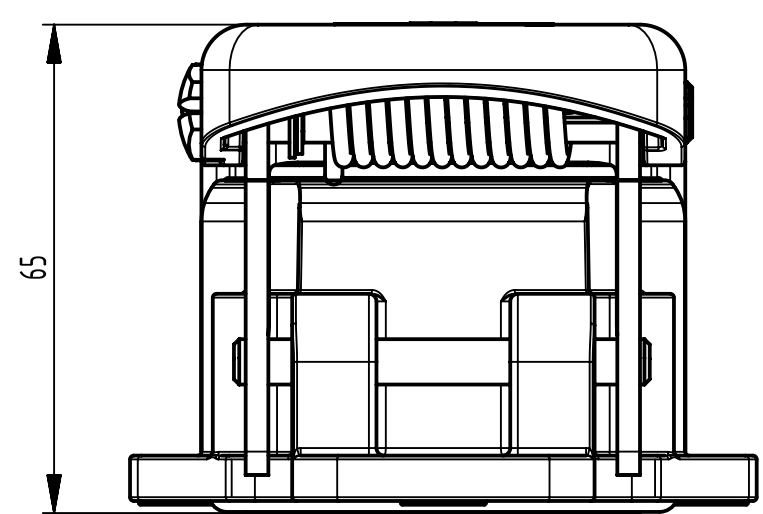
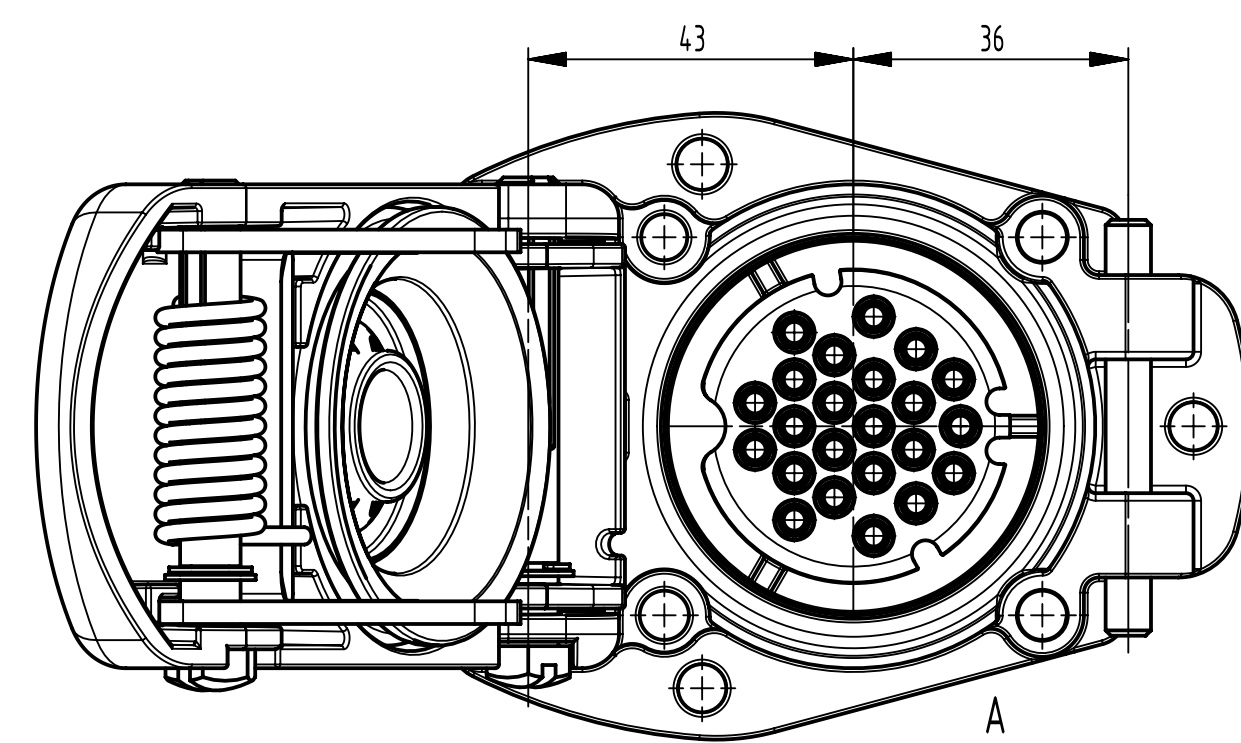


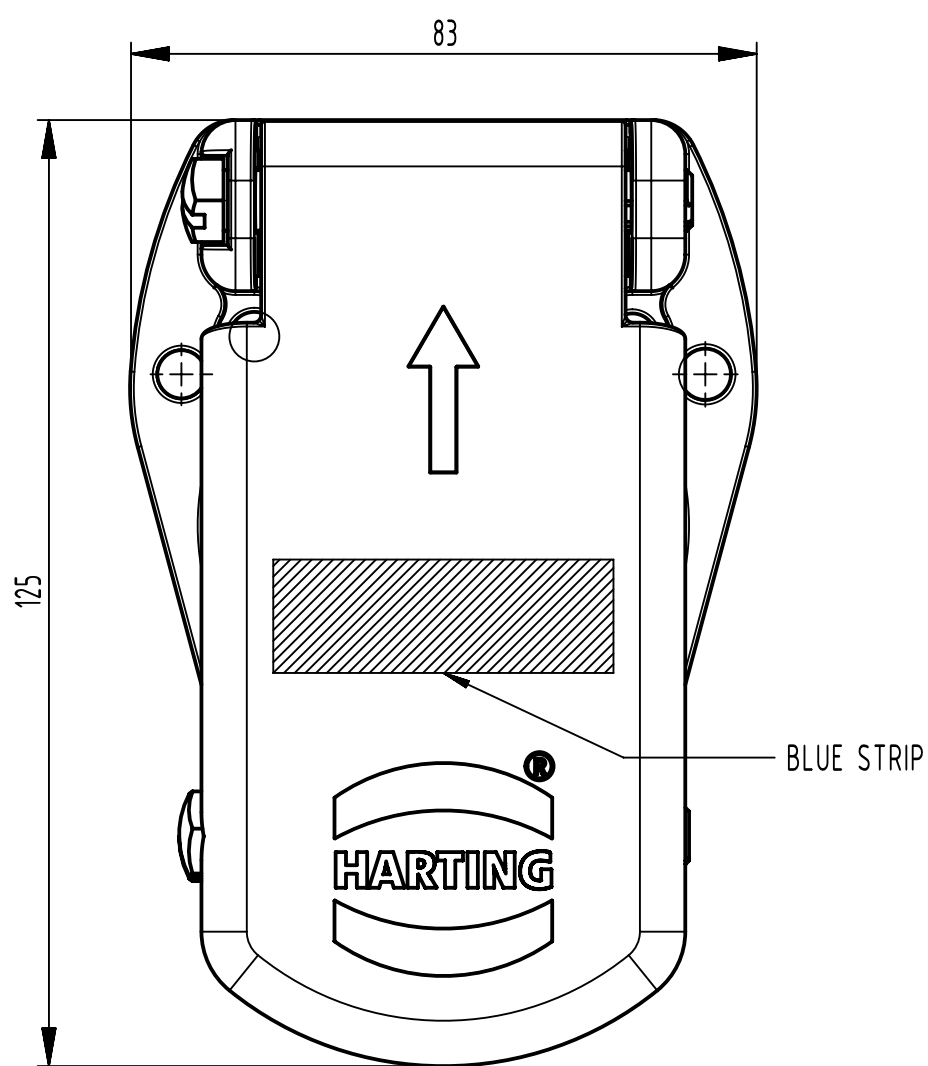
Lid at opened condition



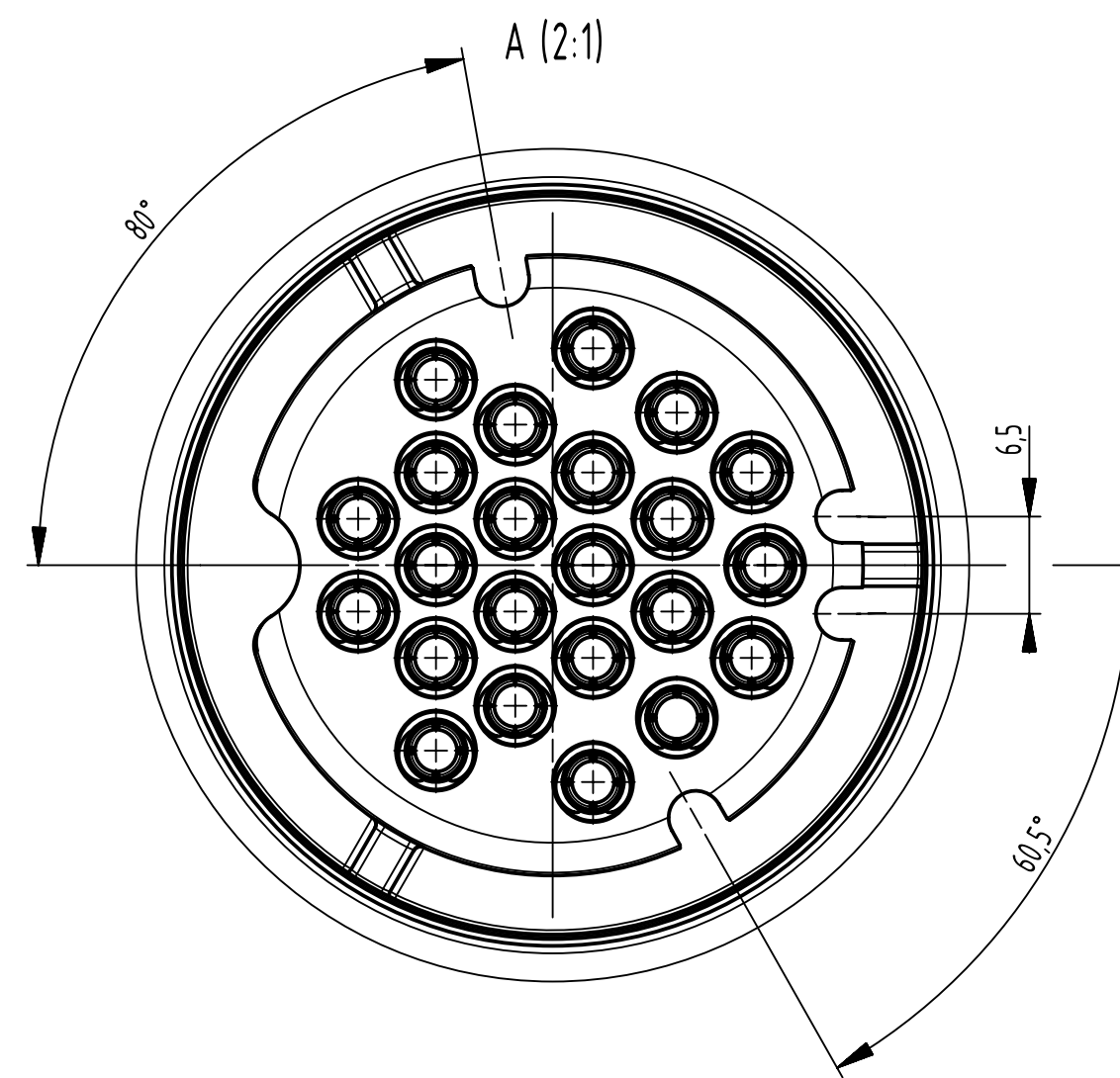
Lid at closed condition



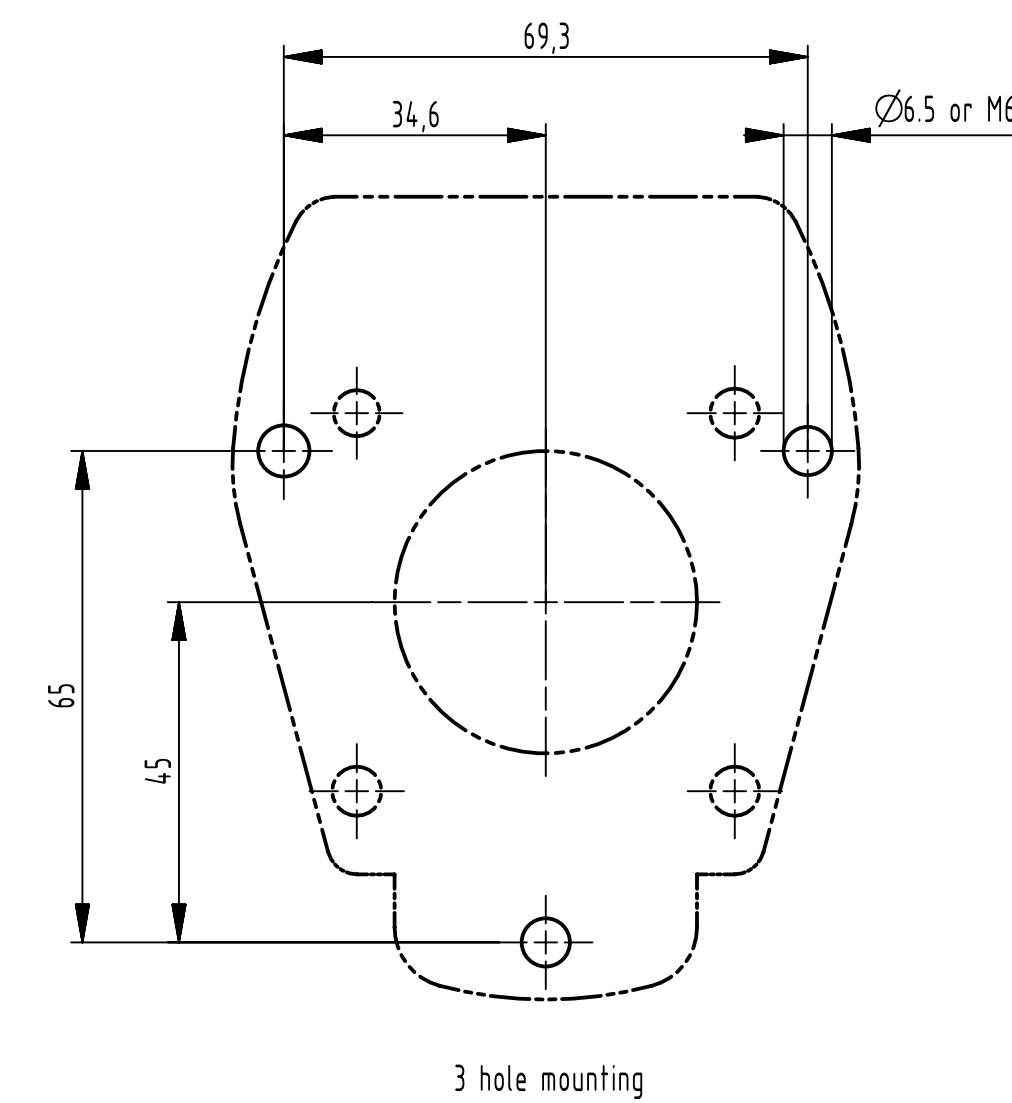
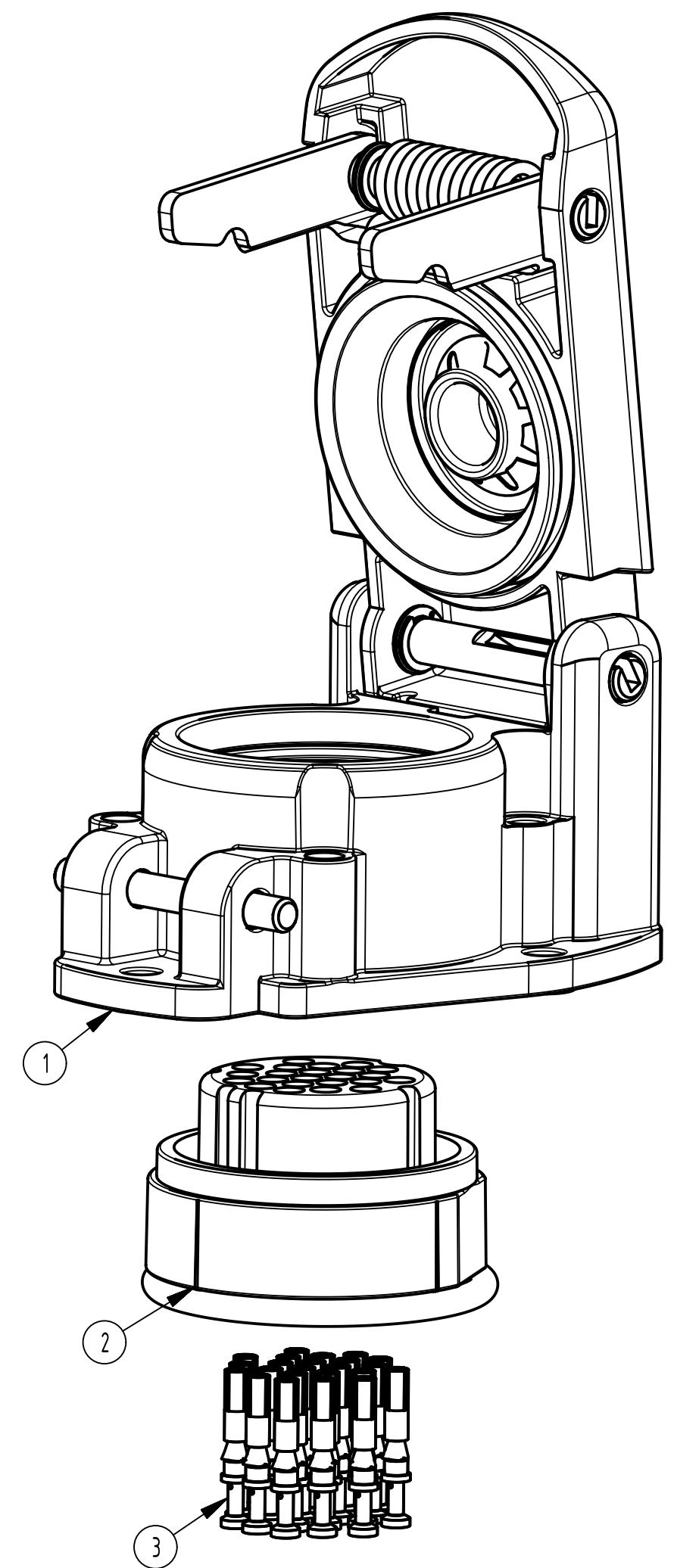
A



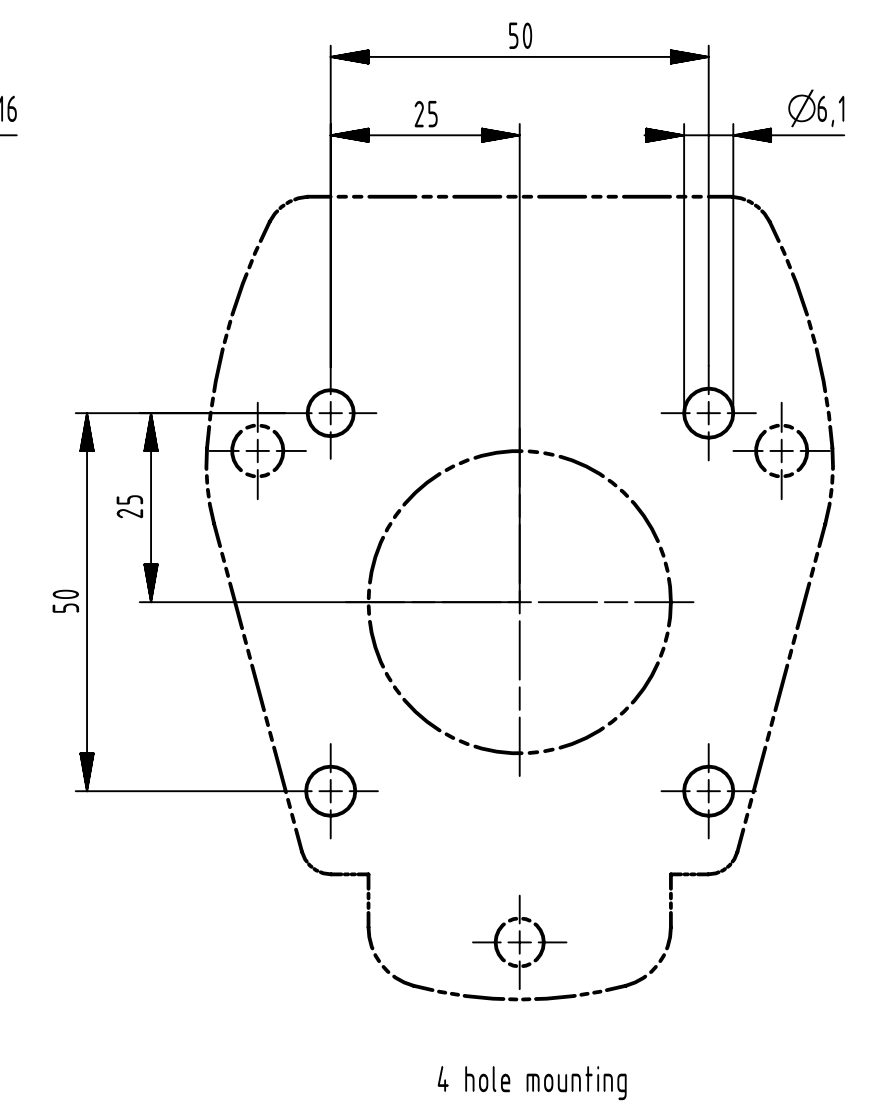
BLUE STRIP



A (2:1)



3 hole mounting



4 hole mounting

ISO 8015

Refer data sheet for product specification

Si. No.	HARTING Scope -part number	Child Component Description	UOM	QTY/ ASSY
1	09 58 001 0303	UIC558-HBM/CM-22PIN	PC	1
2	09 58 022 3101	UIC558-22PIN-FI-CRT	PC	1
3	09 58 000 6605	UIC558-FC-CRT-0.75-1.0 mm <sup>2</sup> /18 AWG-NI	PC	23

	All Dimensions in mm Original Size DIN A1	Scale 1:1	Free size tol.	Ref. Sub.
	All rights reserved Department EL PD	Created by 404742	Inspected by 402933	Standarisat ROEBEN
			Date 2022-01-19	State Final Release
HARTING D-32339 Espelkamp	Title UIC 558 22PIN SOCKET KIT-FC-NI			Doc-Key / ECM-Nr. 100988631UGD/000/A 100000209201
	Type TB	Number 09 5 8 0 22 1003	Rev A	Page 1/1