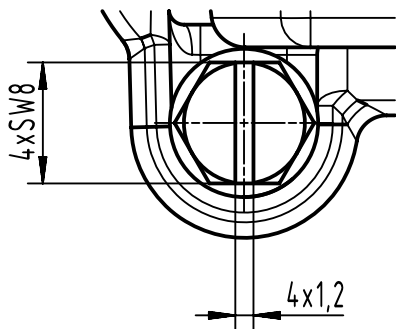



A (2:1)



	All rights reserved Department EL PD	All Dimensions in mm Original Size DIN A4		Scale 1:1	Free size tol.	Ref. Sub.
		Created by HELLMANN	Inspected by GERB	Standardisation	Date 2023-05-26	State Final Release
HARTING D-32339 Espelkamp		Title Han EMC 10 Hood Side Entry PG 29			Doc-Key / ECM-Nr. 100201518/UGD/002/C 500000244804	
		Type TB	Number 09 62 010 0542		Rev. C	Page 1/1