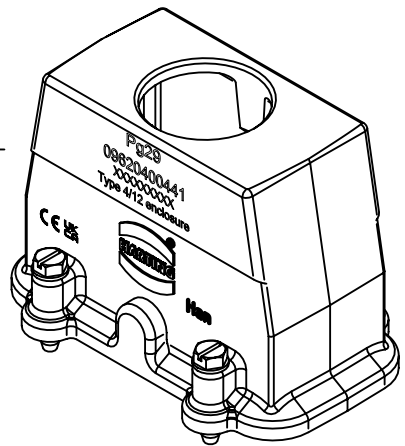
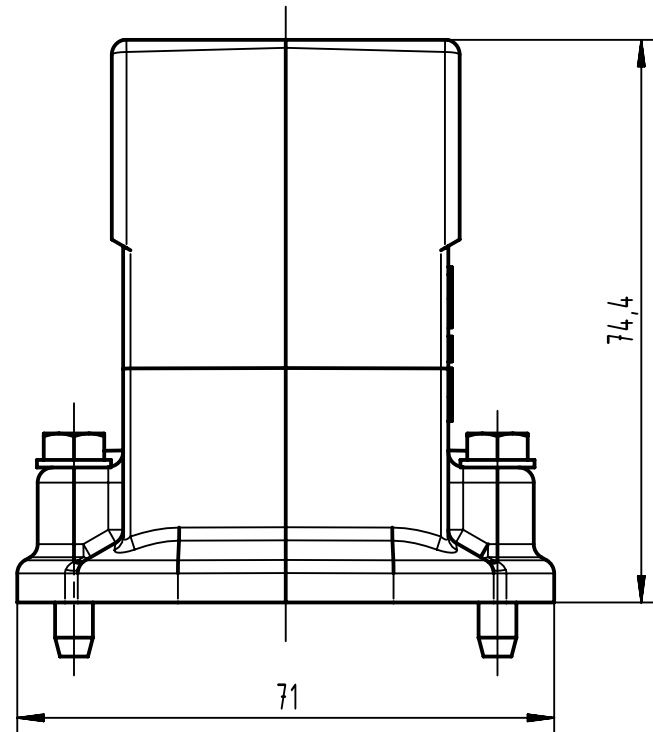
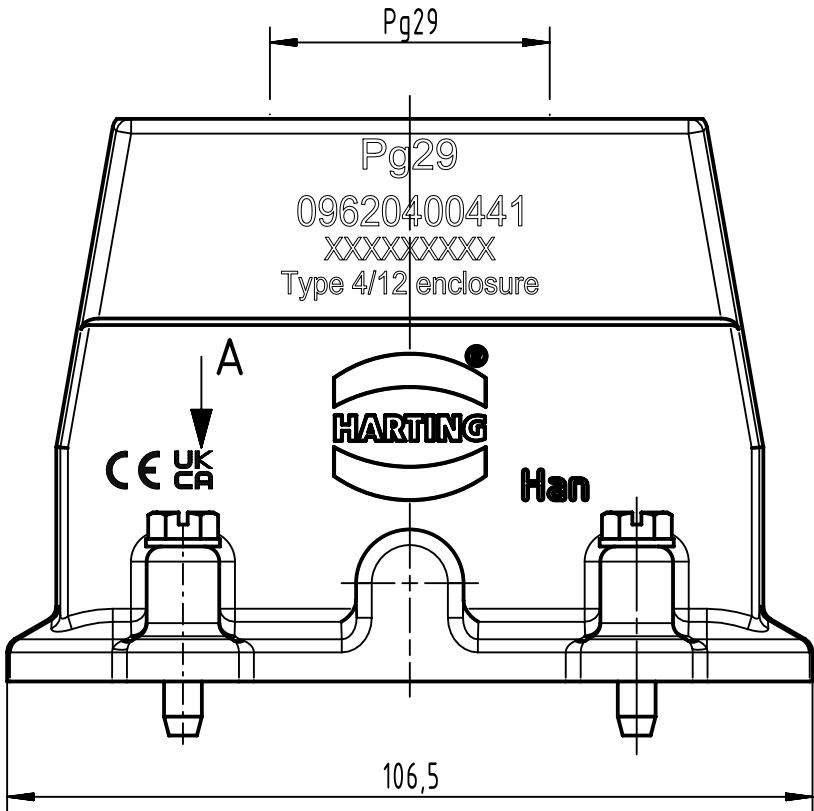
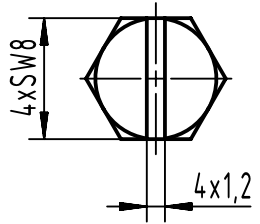


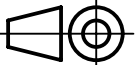

1 2 3 4 5 6

A  
B  
C  
D



A (2:1)



Coating	A=	mm <sup>2</sup>	V=	mm <sup>3</sup>	m=	g	Mat.
	All Dimensions in mm Original Size DIN A4		Scale 1:1	Free size tol.			Ref. Sub.
	All rights reserved Department EL PD		Created by HELLMANN	Inspected by GERB	Standardisation	Date 2023-05-26	State Final Release
HARTING D-32339 Espelkamp			Title Han EMC 40 Hood Top Entry PG 29			Doc-Key / ECM-Nr. 100202594 / UGD/002/D 500000244804	
			Type TB	Number 09 62 040 0441		Rev. D	Page 1/1