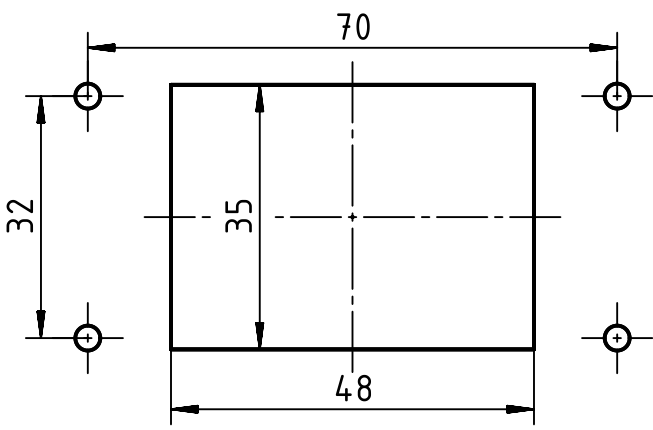



panel cut out



	All rights reserved Department EL PD		HARTING Electric GmbH & Co. KG D-32339 Espelkamp		All Dimensions in mm Original Size DIN A4	Scale 1:1	Free size tol.	Ref. Sub.	Date 2020-02-13	State Final Release	Doc-Key / ECM-Nr. 100881001/UGD/004/A 500000166593
	Created by HELLMANN		Inspected by SUNDERMEIER		Standardisation RUETERA		Title Han 6EMC/B-HBM-SL-HMC		Rev. A	Page 1/1	
			Type TB		Number 09 62 206 0301						