

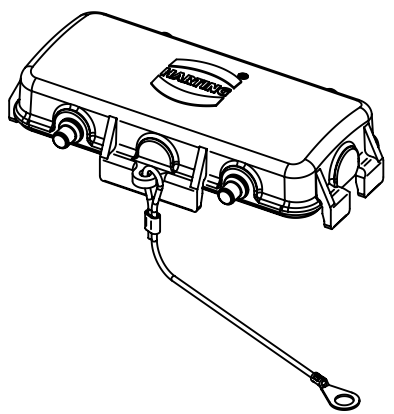
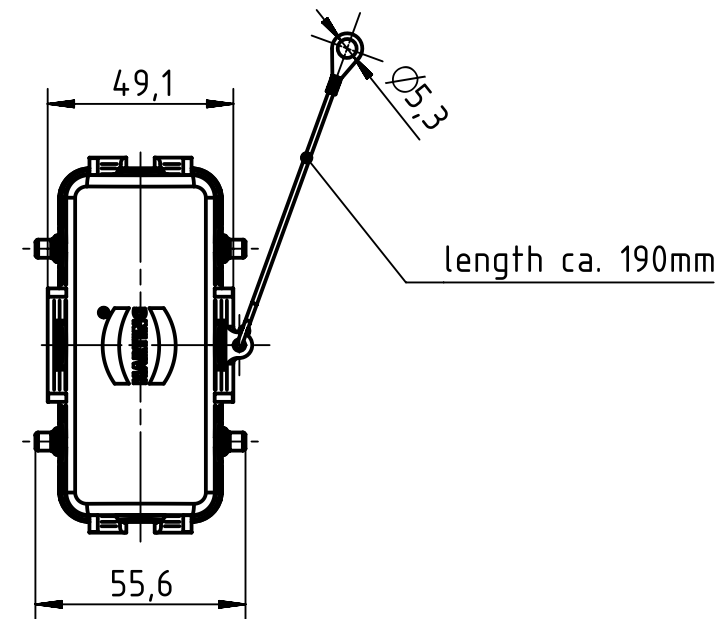
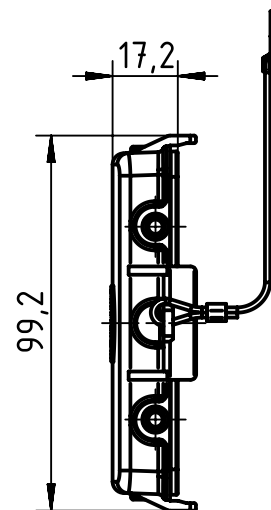
1 2 3 4 5 6


A

B

C

D



	All Dimensions in mm Original Size DIN A4		Scale 1:2	Free size tol.		Ref.	
	All rights reserved Department EL PD - DE		Created by SPRENB	Inspected by BERGHORN	Standardisation TIEMANNA	Date 2013-08-30	State Final Release
HARTING Electric GmbH & Co. KG D-32339 Espelkamp			Title Han EMC/B 16 Protection Cover metal			Doc-Key / ECM-Nr. 100544025/UGD/012/A 500000064823	
			Type TB	Number 09 62 816 5425		Rev. A	Page 1/1