

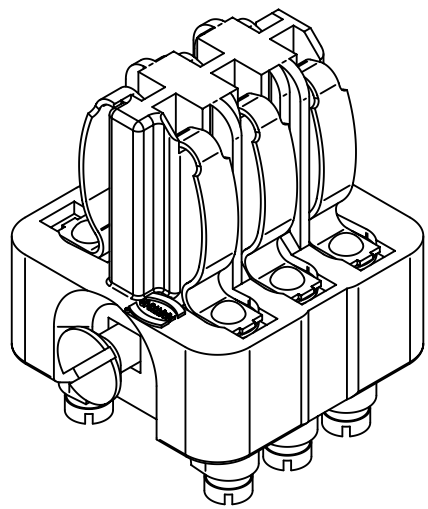
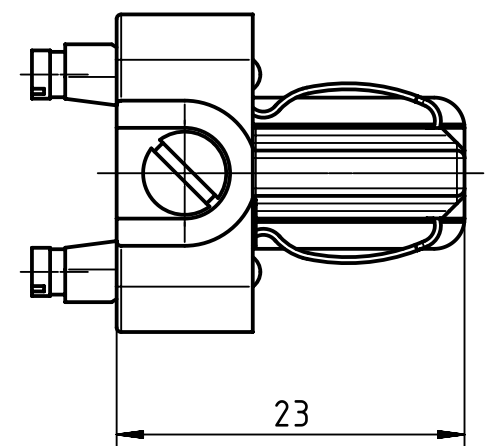
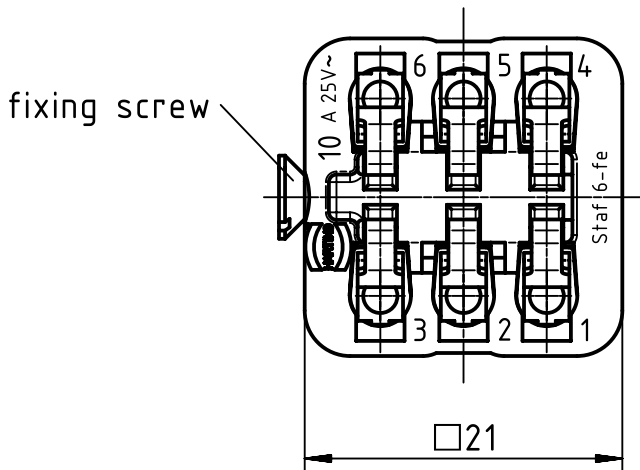
1 2 3 4 5 6

A

B

C

D



	All Dimensions in mm Original Size DIN A4		Scale 2:1	Free size tol.		Ref.
			Created by FINKEV	Inspected by MOOR	Standardisation SCHMIDTM	Sub.
All rights reserved Department EL PD - DE		Title Staf 06 Pos. F Insert Screw		Date 2015-07-06	State Final Release	
HARTING Electric GmbH & Co. KG D-32339 Espelkamp		Type TB		Number 09 70 006 2813		Doc-Key / ECM-Nr. 100131681/UGD/004/A 500000091203
					Rev. A	Page 1/1