

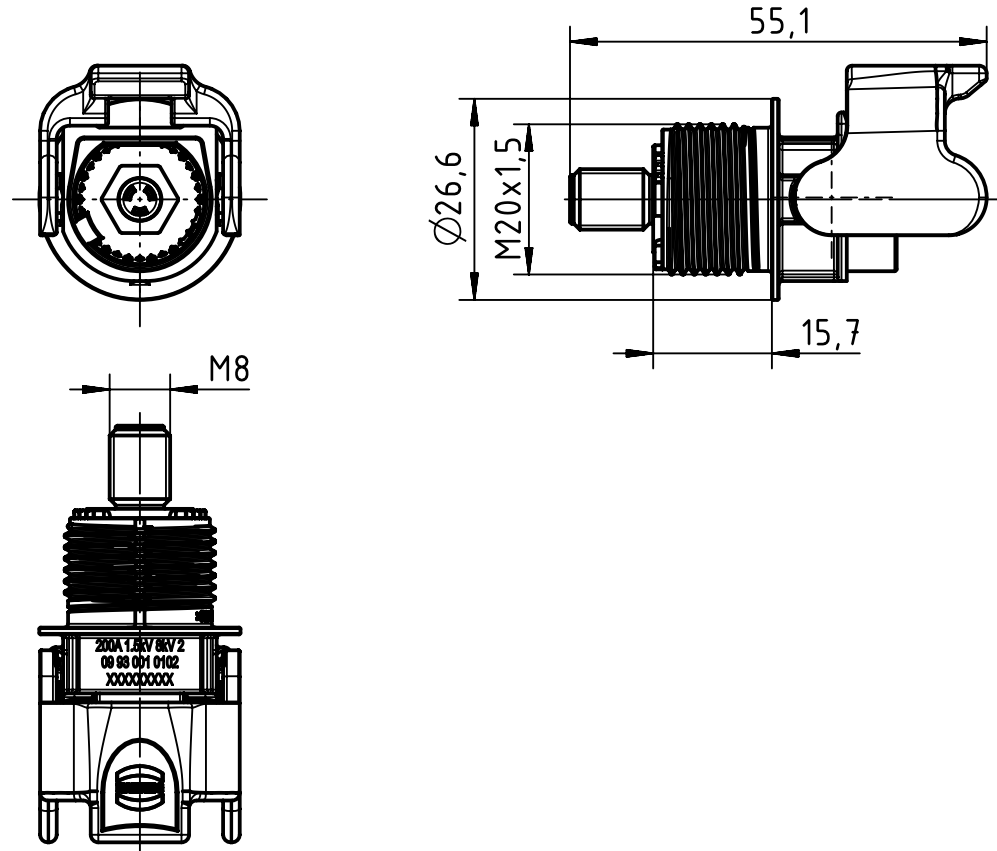
1 2 3 4 5 6

A

B

C

D



| | | | | | | | |
|------------------------------|--|-------------------------------|---------------------------|------------------------|-----------------|---------------------|--|
| | All Dimensions in mm Original Size DIN A4 | Scale 1:1 | | Free size tol. | | Ref. | |
| | | | | | | Sub. | |
| | All rights reserved Department EL PD | Created by DEIMEL | Inspected by GRIEPENSTROH | Standardisation 302077 | Date 2021-04-19 | State Final Release | |
| | | Title Han@ S-HSI w. MC M8-red | | | | | Doc-Key / ECM-Nr. 100848336/UGD/001/C 500000193505 |
| HARTING D-32339 Espelkamp | | Type TB | Number 09 93 001 0102 | | | Rev. C | Page 1/1 |