

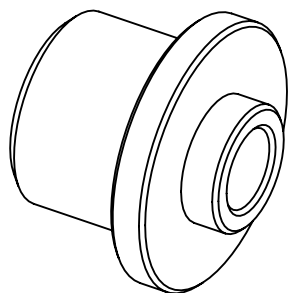
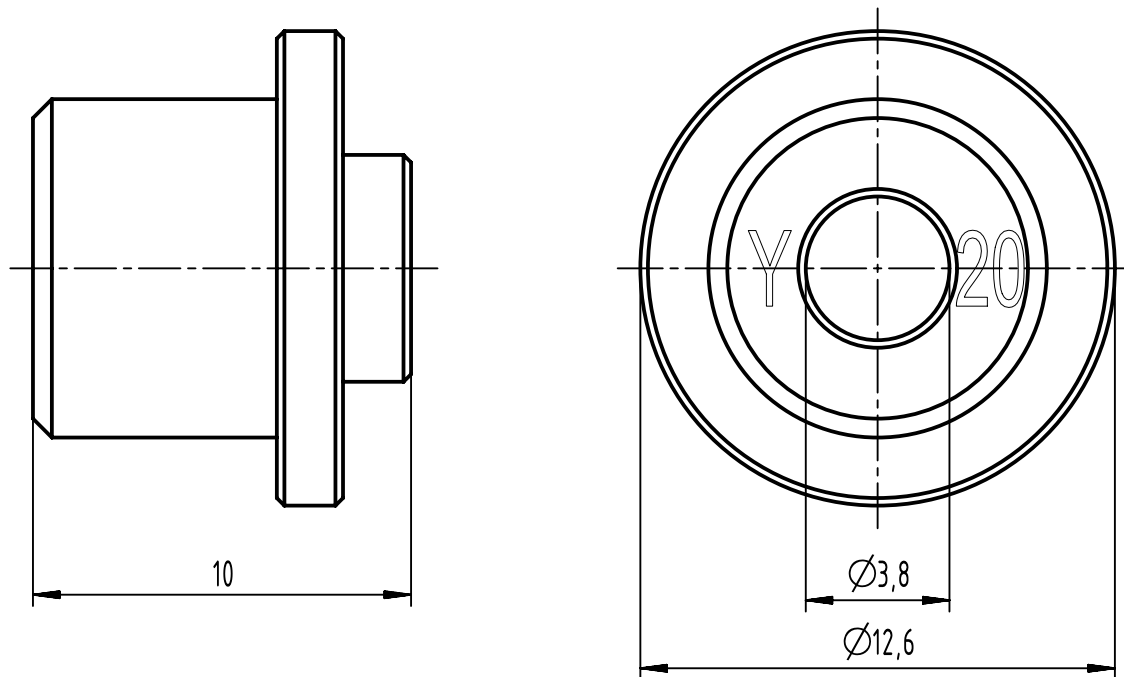
1 2 3 4 5 6

A

B

C

D



	All rights reserved Department EL PD	All Dimensions in mm Original Size DIN A4	Scale 5:1	Free size tol.		Ref. Sub. TB 09 99 000 0342 v. 26.10.11	
		HARTING D-32339 Espelkamp	Created by HOLLERT	Inspected by NICHTERLEIN	Standardisation	Date 2021-07-21	State Final Release
Title Position sleeve 20A contacts						Doc-Key / ECM-Nr. 100192852/UGD/003/B 500000190458	
			Type TB	Number 09 99 000 0342		Rev. B	Page 1/1