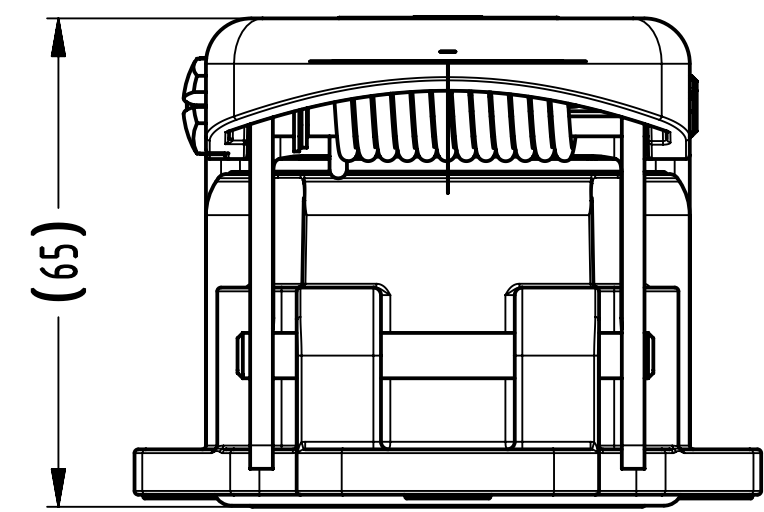
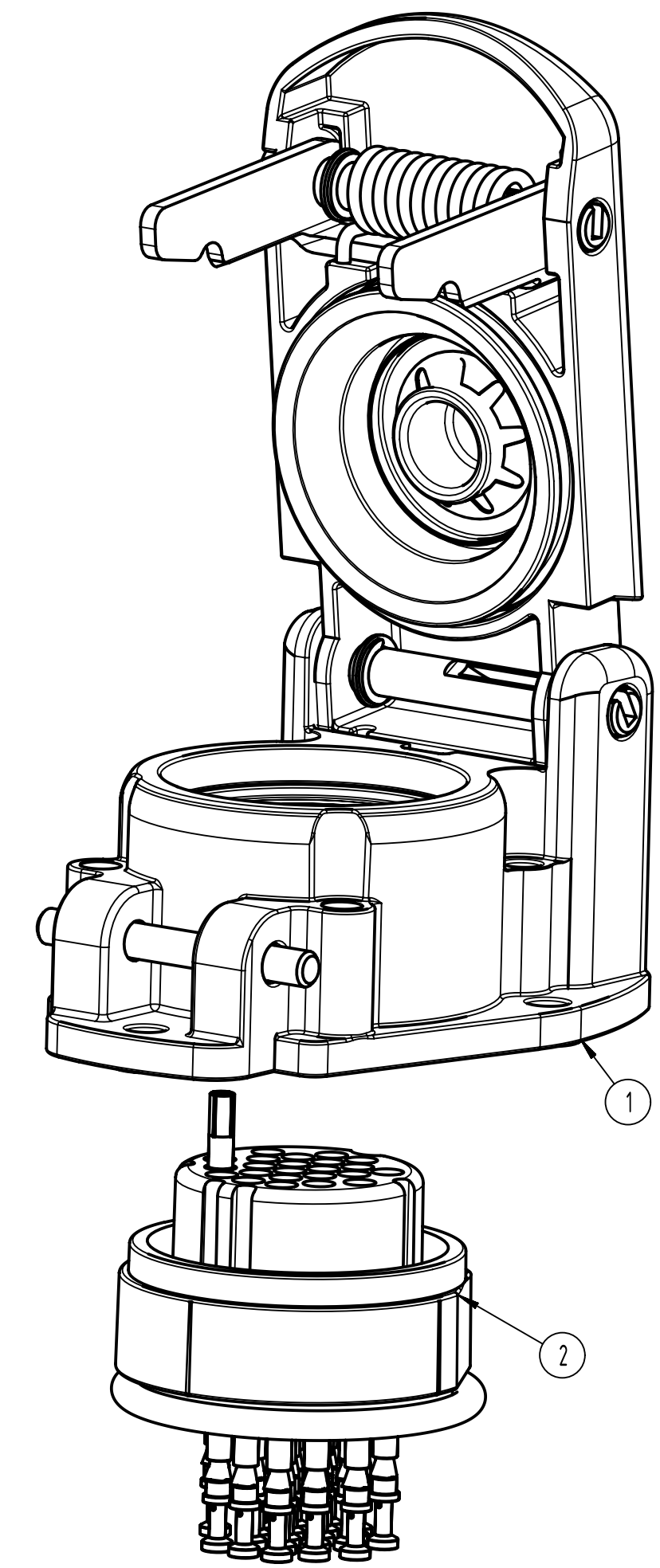
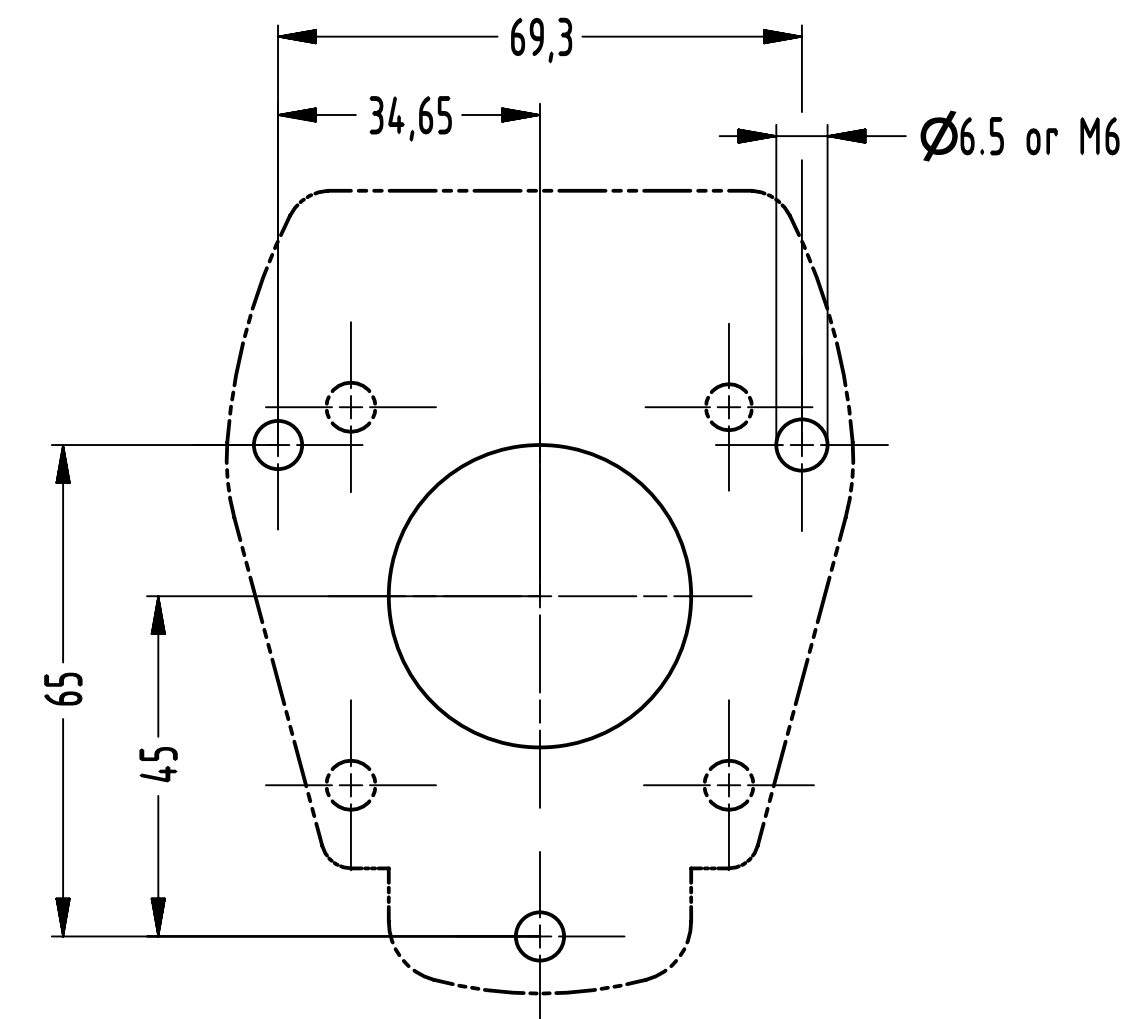
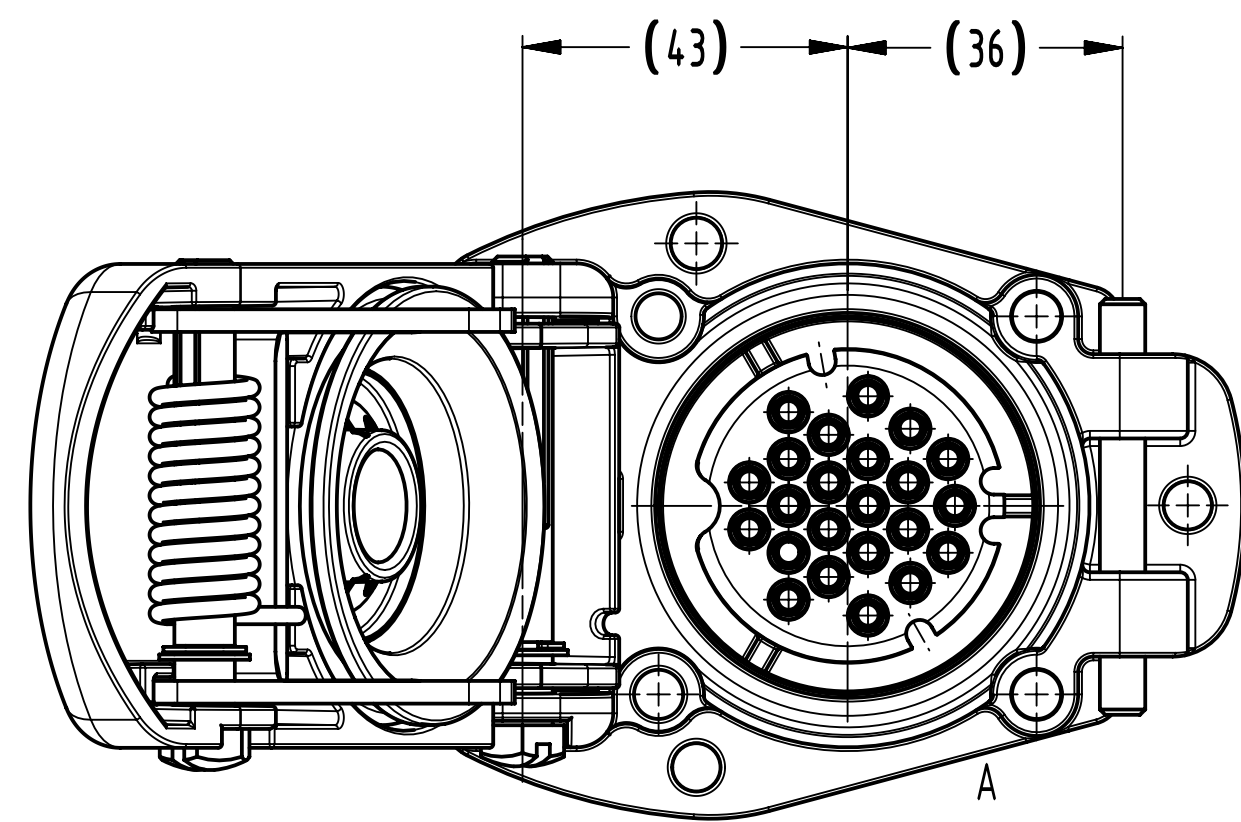


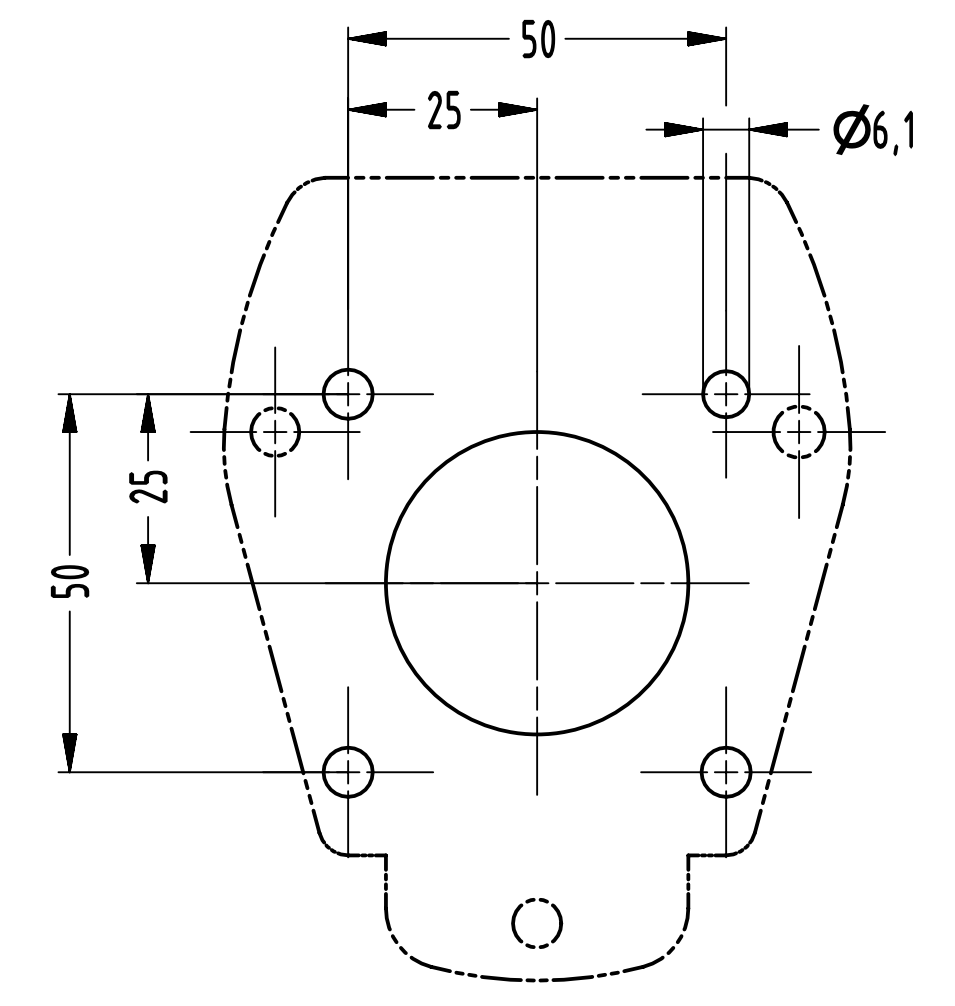
Lid at opened condition



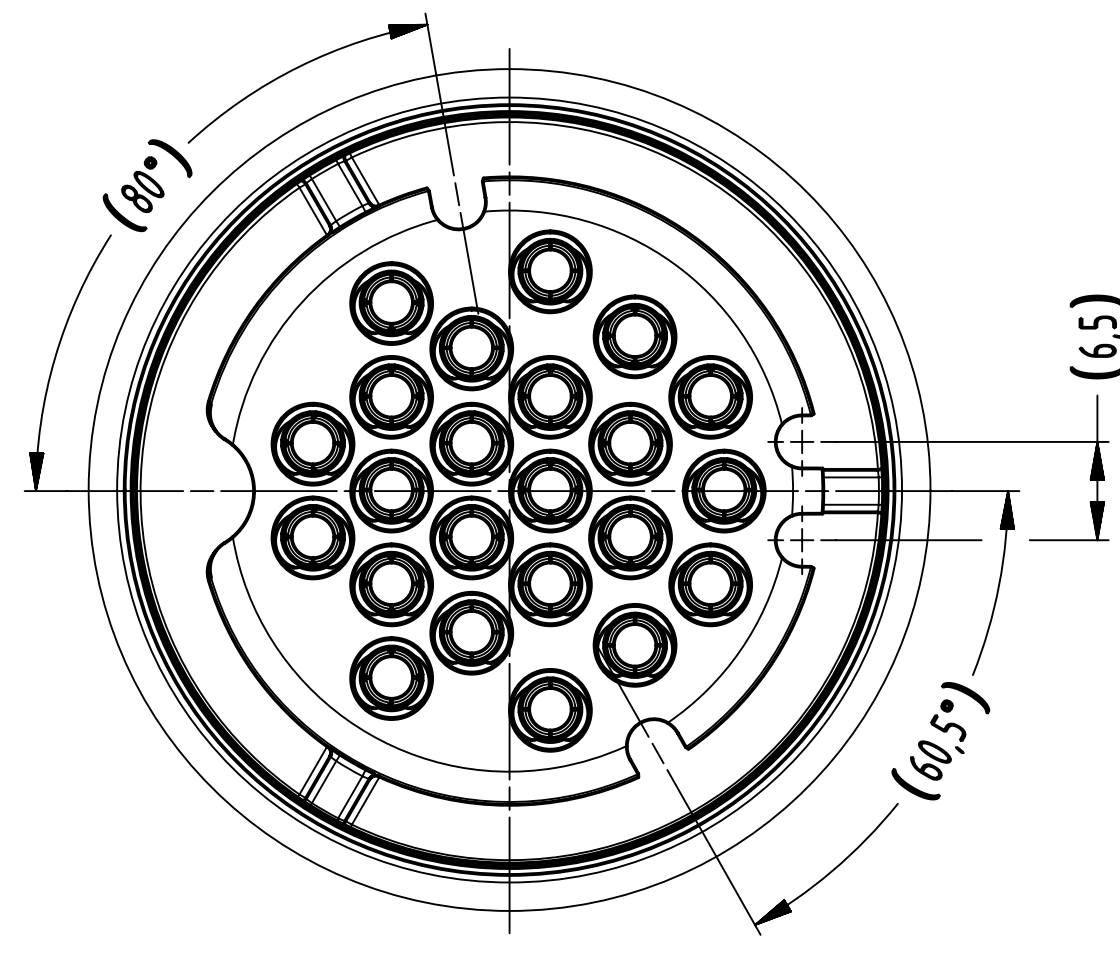
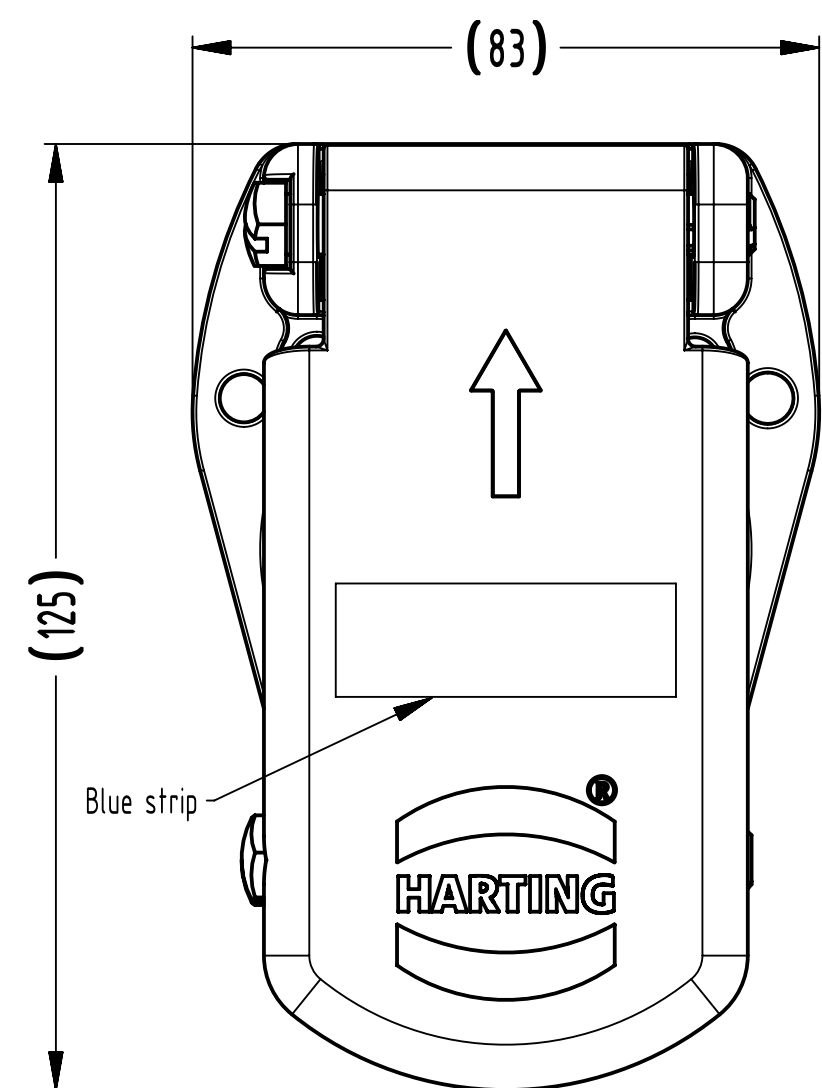
Lid at closed condition



4 Hole mounting



3 Hole mounting



A (2:1)

S. No.	Part number	Part Description	UOM	QTY/ ASSY
1	09 58 001 0303	UIC558-HBM/CM-22PIN	PC	1
2	09 58 022 3101	UIC558-22PIN-FI-CRT	PC	1

Refer data sheet for product specification.

	All Dimensions in mm Original Size DIN A1	Scale 1:1	Free size tol. ISO 8015	Ref. Sub.
	All rights reserved Department EL_PD	Created by 404742 Krichbaum	Inspected by 402933 Krichbaum	Standarisat ROEBEN Stoeben
Title UIC 558 22PIN-SOKET DUMMY KIT		Date 2021-12-21	State Final Release	Doc-Key / ECM-Nr. 100953045/USD/001/A 10000020781
HARTING D-32339 Espelkamp		Type TB	Number 09 58 022 1014	Rev A
				Page 1/1