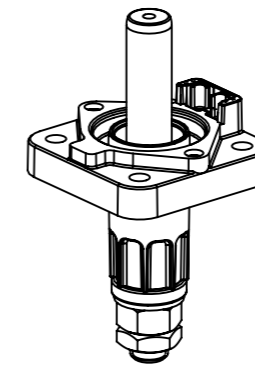
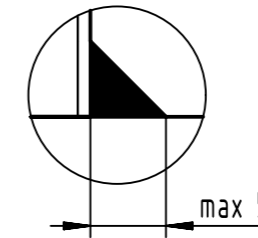
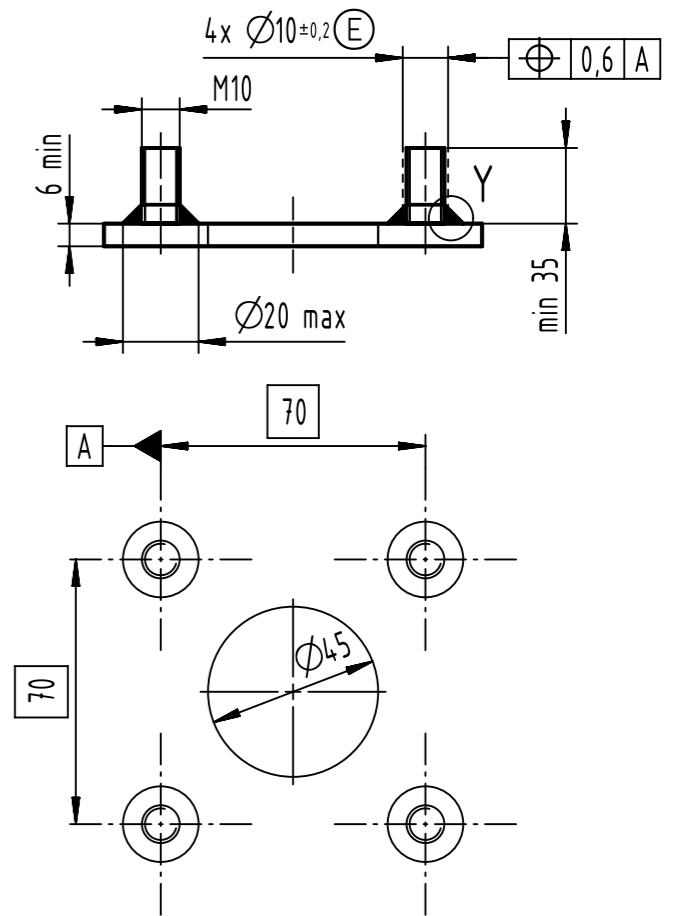


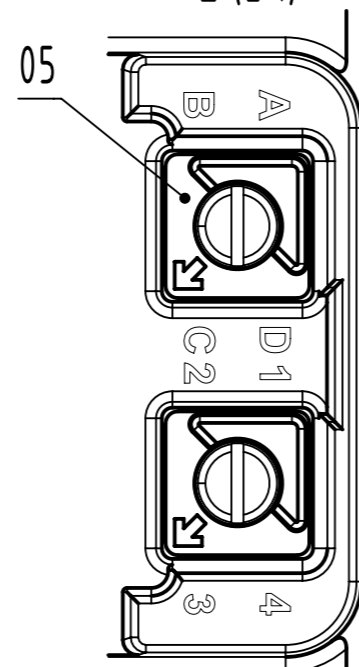
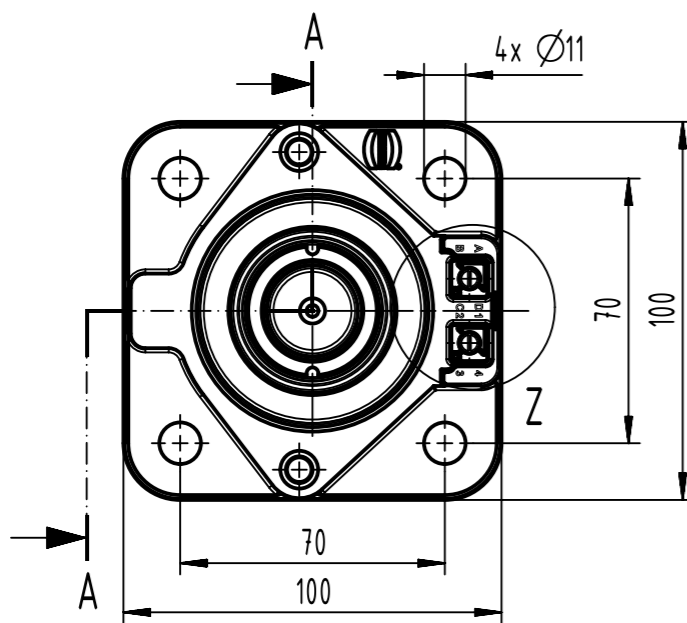
Y (2:1)



site requirement



Z (2:1)



tolerancing ISO 8015

assembly instruction enclosed

parts in scope of delivery are not assembled
and without M10-hexagon nuts

[DS1]= [A]

6	80405000	SYNTHESE GLEP 1 - 3g Siegelbeutel	1
5	9400029901	Han HPR HPTC coding-element	2
4	09400022620_30	Han HPR Brass nut set M 20	1
3	09400020891_01	Han HPR HPTC 850/1400 DS-subpackage-A	1
2	09400020820_10	Han HPR HPTC 850 DS-male-contact	1
1	09400022620_60	Han HPR-HCTC2 device side	1
item	partnumber	partname	QTY

	All rights reserved Department EL PD	All Dimensions in mm Original Size DIN A3	Scale 1:2	Free size tol.	Ref. Sub.
		Created by DEIMEL	Inspected by 104061	Standardisation	Date 2023-02-27
HARTING D-32339 Espelkamp		Title Han HPR HPTC 850 DS			Doc-Key / ECM-Nr. 100911996/UGD/001/F 500000238603
		Type TB	Number 10 40 281 1009		Rev. F
					Page 1/2

