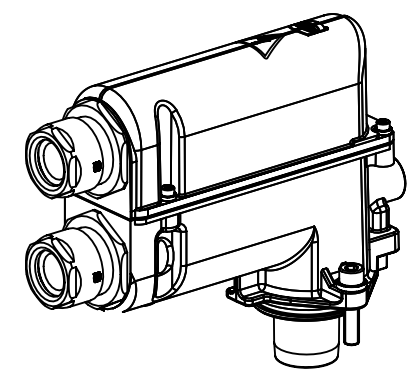


14	742300	Hexagon socket head cap screw ISO 4762-M4x14	4	3	-	2,2
13	9400029901	Han HPR HPTC coding-element	2			
12	9110026235	Han HPR HPTC 850/1400-fe.-cont.-150mm <sup>2</sup>	2			
11	19400021210_03	Han HPTC 1400 CS contact fastener	1			
10	19400020810_03	Han HPTC 850/1400 CS contact fastener	1			
9	19400021210_02	Han HPR HPTC 1400 CS-HT-insul.-body	1			
8	19400020810_01	Han HPR HPTC 850/1400 CS-HB-insul.-body	1			
7	19400021208_10	Han HPR HPTC 1400 CS-HT-M40	1			
6	19000007128	Han CGM-M-Rail M40 D.16-20,5mm	2	36	50	20,0
5	19400020890_05	O-Ring	1			
4	19400020890_06	O-Ring	2			
3	743400	Lock washer	2			
2	742900	Hexagon socket head cap screw ISO 4762-M8x35	2	6	-	14,5
1	19400020808_50	Han HPR HPTC 850/1400 CS-HB-M40	1			
item	partnumber	partname	QTY	SW1	SW2	tightening torque Nm

parts in scope of delivery are not assembled  
 assembly instruction enclosed  
 crimp zone acc. to DIN EN 46235, indicator 22  
 for stranded fine wire acc to VDE 0295 class 5/ IEC 60228 class 5  
 wire gauge: 150mm<sup>2</sup>



Coating	A=	mm <sup>2</sup>	V=	mm <sup>3</sup>	m=	g	Mat.
	All Dimensions in mm Original Size DIN A3	Scale 1:2	Free size tol.	Ref.			
				Sub.			
	All rights reserved Department EL PD	Created by MEYERLE	Inspected by 00103912	Standardisation	Date 2021-10-04	State Final Release	
HARTING D-32339 Espelkamp	Title Han HPR HPTC 1400 CS UNSH IP65/67 150				Doc-Key / ECM-Nr. 100941857/UGD/002/E 500000203563		
	Type TB	Number 10 40 291 2137			Rev. E	Page 1/1	