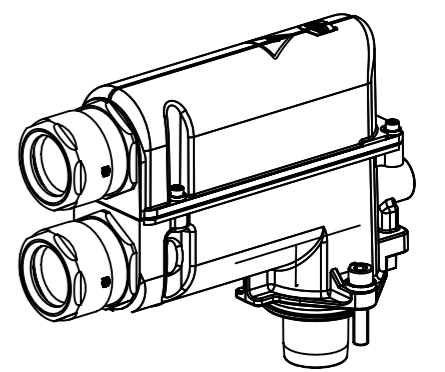


14	742300	Hexagon socket head cap screw ISO 4762-M4x14	4	3	-	2,2
13	9400029901	Han HPR HPTC coding-element	2			
12	9110026237	Han HPR HPTC 850/1400-fe.-cont.-240mm ²	2			
11	19400021210_03	Han HPR HPTC 1400 CS-HT-c.-retainer	1			
10	19400020810_03	Han HPR HPTC 850/1400 CS-HB-c.-retainer	1			
9	19400021210_02	Han HPR HPTC 1400 CS-HT-insul.-body	1			
8	19400020810_01	Han HPR HPTC 850/1400 CS-HB-insul.-body	1			
7	19400021208_10	Han HPR HPTC 1400 CS-HT-M40	1			
6	19000007127	Han CGM-M-Rail M40 D.26.5-32mm	2	46	50	20,0
5	19400020890_05	O-Ring	1			
4	19400020890_06	O-Ring	2			
3	743400	Lock washer	2			
2	742900	Hexagon socket head cap screw ISO 4762-M8x35	2	6	-	14,5
1	19400020808_50	Han HPR HPTC 850/1400 CS-HB-M40	1			
item	partnumber	partname	QTY	SW1	SW2	tightening torque Nm

parts in scope of delivery are not assembled
 assembly instruction enclosed
 crimp zone acc. to DIN EN 46235, indicator 22
 for stranded fine wire acc to VDE 0295 class 5/ IEC 60228 class 5
 wire gauge: 150mm²



Coating	A=	mm ²	V=	mm ³	m=	g	Mat.
	All Dimensions in mm Original Size DIN A3	Scale 1:2	Free size tol.	Ref.			
	All rights reserved	Created by MEYERLE	Inspected by 00103912	Standardisation	Date 2021-10-01	State Final Release	
	Department EL PD	Title Han HPR HPTC 1400 CS UNSH IP65/67 240				Doc-Key / ECM-Nr. 100941866/UGD/002/E 50000203536	
HARTING	D-32339 Espelkamp	Type TB	Number 10 40 291 2129			Rev. E	Page 1/1