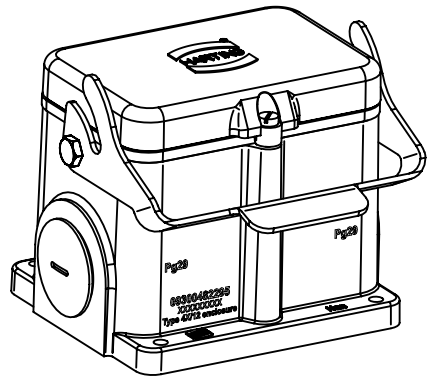

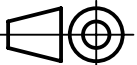


range of delivery: cover closed



	All rights reserved		Created by HOLLERT		Inspected by GERB		Standardisation SAP_WFRT		Date 2022-04-08		State Final Release	
	Department EL PD		Title Han B Base Surface LC 1 Lever Metal Cove		Doc-Key / ECM-Nr. 100667949/UGD/005/E 500000215005		Rev. E		Page 1/1			
 All Dimensions in mm Original Size DIN A4			Scale 1:2			Free size tol.			Ref. Sub. TB 19 30 048 0298 v. 06.12.00			
HARTING D-32339 Espelkamp			Type TB			Number 09 30 048 2295						