

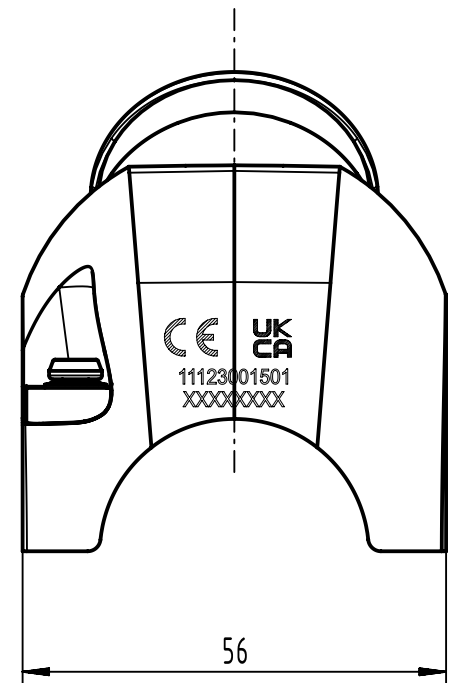
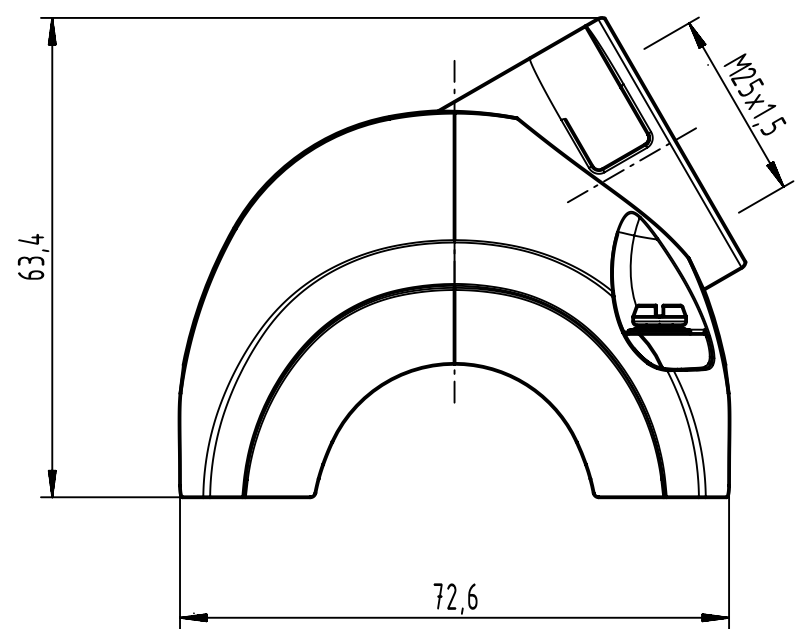
1 2 3 4 5 6

A

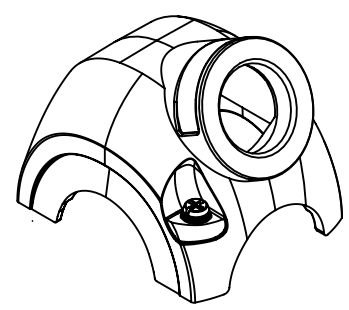
B


C

D



range of delivery: shell with M4 screws, washers and seals
to mount on carrier hood



	All Dimensions in mm Original Size DIN A4		Scale 1:1	Free size tol.		Ref.	
	All rights reserved Department EL PD		Created by HELLMANN	Inspected by GERB	Standardisation	Date 2021-11-09	State Final Release
HARTING D-32339 Espelkamp			Title Han-Yellock side entry M25			Doc-Key / ECM-Nr. 100185756/UGD/008/A 500000204234	
			Type TB	Number 11 12 300 1501		Rev. A	Page 1/1