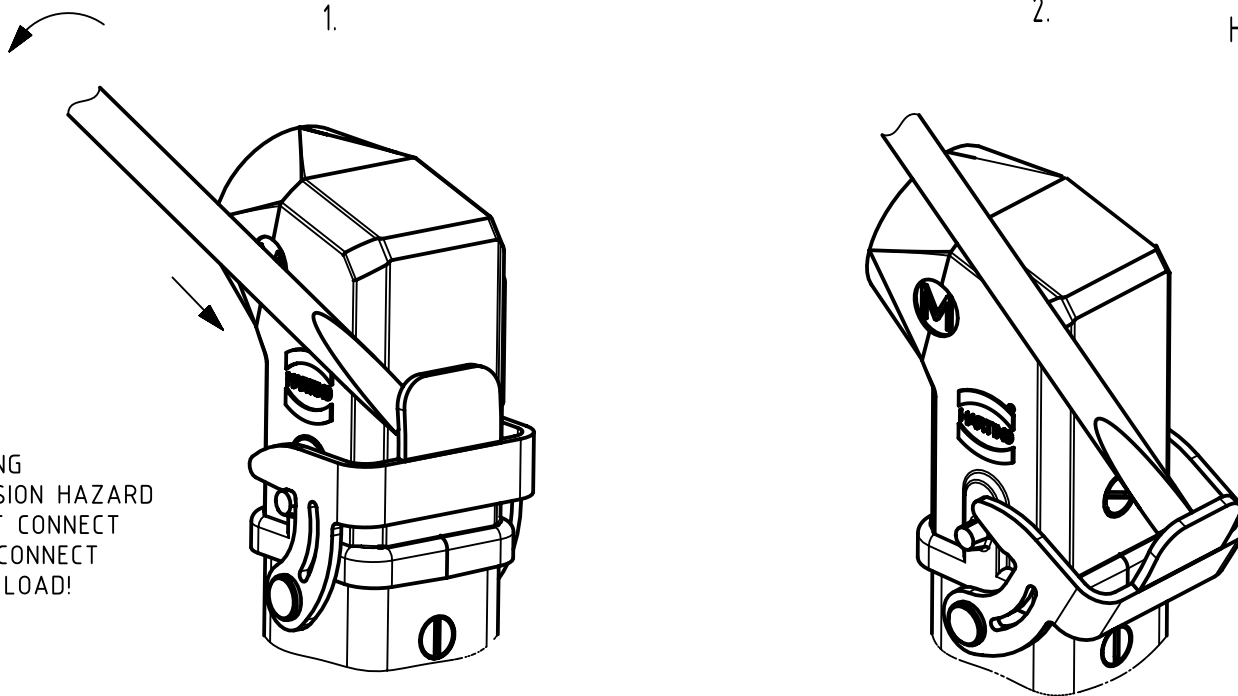
	All rights reserved		Created by HELLMANN		Inspected by SCHNIEDER		Standardisation		Date 2021-11-24		State Final Release	
	Department EL PD		Title Han Ex UL 4A-QL Set		Number 10 36 104 0011		Doc-Key / ECM-Nr. 100670197/UGD/002/D 500000206718		Rev. D		Page 1/2	
HARTING D-32339 Espelkamp			All Dimensions in mm Original Size DIN A4		Scale 1:1		Free size tol.		Ref. Sub.			

FOR USE WITH AWG: 14, 16

FOR USE WITH CABLE TYPE:
PLTC, PLTC-ER, ITC, ITC-ER, MC, MV AND TC

FOR USE IN CLASS I, DIVISION 2 GROUPS A, B, C, AND D
HAZARDOUS LOCATIONS OR UNCLASSIFIED LOCATIONS



WARNING
EXPLOSION HAZARD
DO NOT CONNECT
OR DISCONNECT
UNDER LOAD!

THE INSTALLATION MUST BE IN
ACCORDANCE WITH THE
ASSOCIATED LOCATION
RESTRICTIONS OF THE NATIONAL
ELECTRIC CODE OR CANADIAN
ELECTRICAL CODE AS
APPLICABLE, INCLUDING ISSUES
SUCH AS THE ROUTING,
SUPPORT AND LENGTH OF THE
INVOLVED CORD OR CABLE.

To separate connectors, insert small flathead tool or screwdriver between metal lever and housing as shown in the diagram. Press screwdriver in a downward direction until the metal lever releases.

To secure the hood and housing assembly together, press the metal levers in the upward direction until metal lever latches into housing pins.