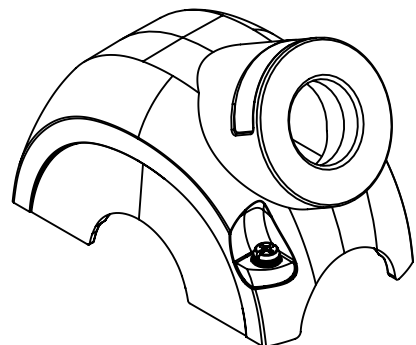
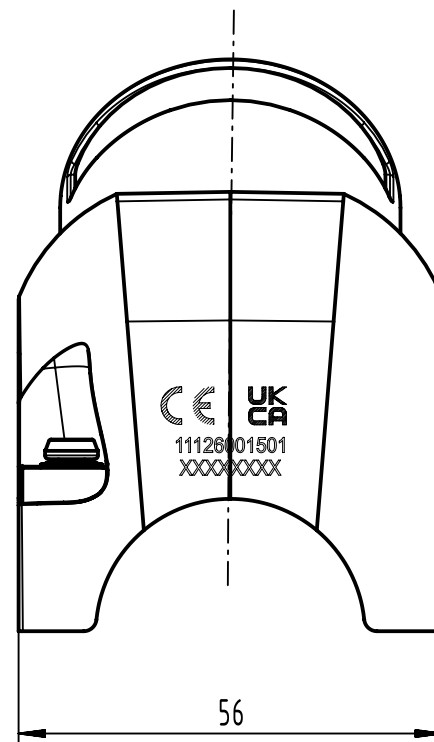
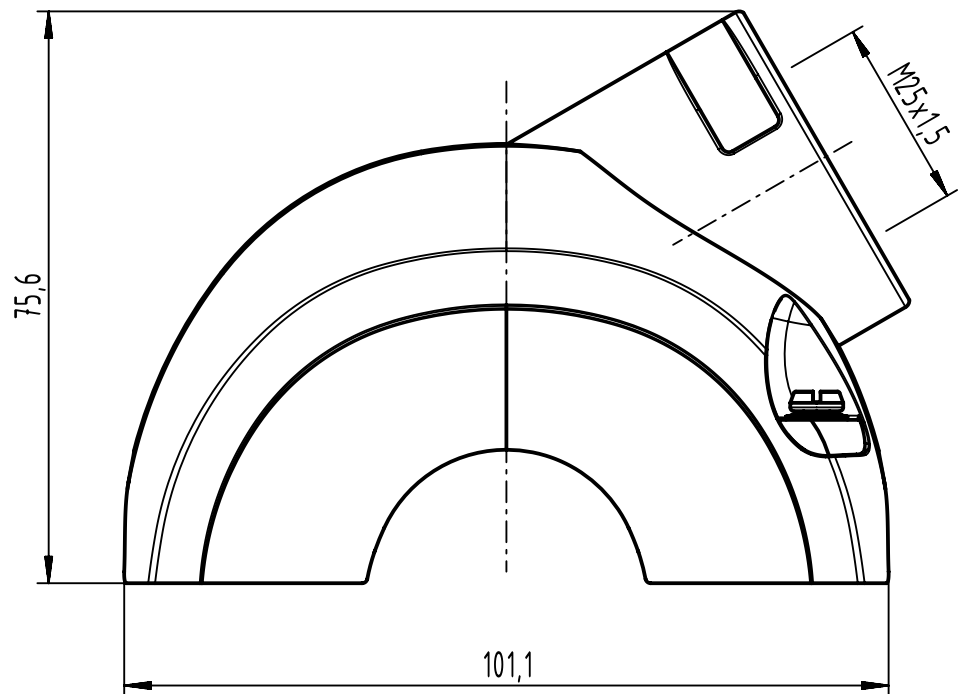


A


B

C

D



range of delivery: shell with M4 screws, washers and seals
to mount on carrier hood

	All rights reserved Department EL PD	All Dimensions in mm Original Size DIN A4		Scale 1:1	Free size tol.	Ref. Sub.
		Created by HELLMANN	Inspected by GERB	Standardisation	Date 2021-11-15	State Final Release
HARTING D-32339 Espelkamp		Title Han-Yellock 60 side entry M25			Doc-Key / ECM-Nr. 100186238/UGD/005/A 500000204282	
		Type TB	Number 11 12 600 1501		Rev. A	Page 1/1