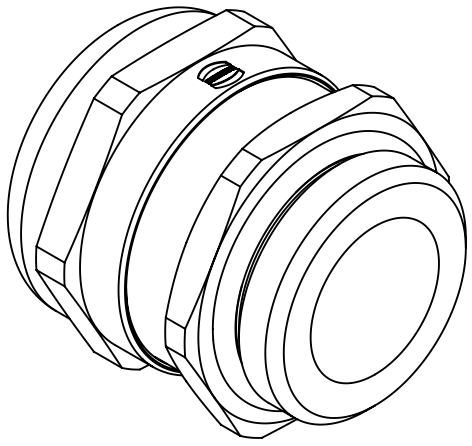


O-Ring included
Position of the Logo may vary



	All Dimensions in mm Original Size DIN A4		Scale 2:1	Free size tol.		Ref.		
						Sub.		
	All rights reserved		Created by LONGL	Inspected by DINGB	Standardisation TIEMANNA	Date 2016-03-24	State Final Release	
	Department EL PD - DE		Title Han CGM-M M25x1,5 D.9-16mm/13-18mm				Doc-Key / ECM-Nr. 100177158/UGD/004/C 500000102288	
HARTING Electric GmbH & Co. KG D-32339 Espelkamp			Type TB	Number 19 00 000 5091			Rev. C	Page 1/1