

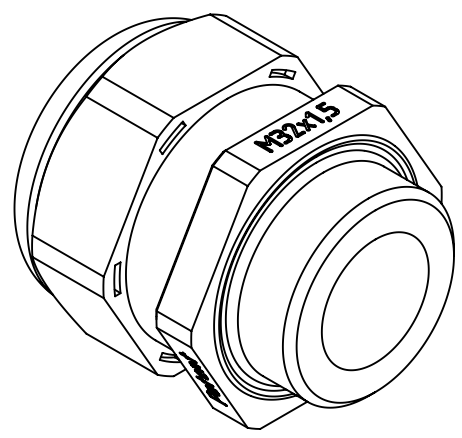
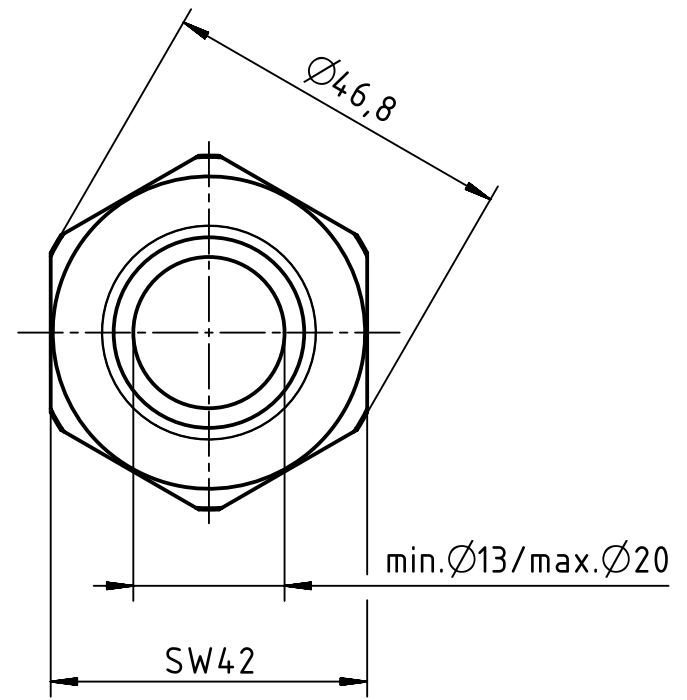
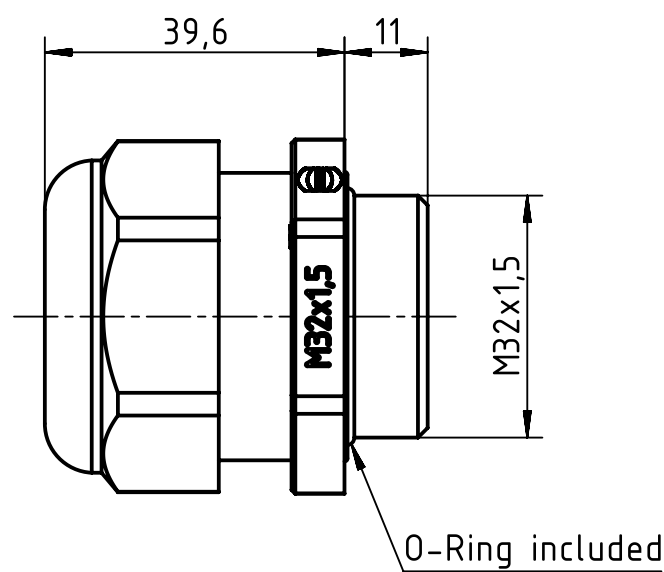
1 2 3 4 5 6

A

B

C

D



	All Dimensions in mm Original Size DIN A4		Scale 1:1	Free size tol.		Ref.
						Sub.
	All rights reserved		Created by LONGL	Inspected by DINGB	Standardisation TIEMANNA	Date 2016-03-04
	Department EL PD - DE					State Final Release
HARTING Electric GmbH & Co. KG D-32339 Espelkamp			Title Han CGM-P M32x1,5 D.13-20mm grey			Doc-Key / ECM-Nr. 100090976/UGD/009/B 500000100783
			Type TB	Number 19 00 000 5194		Rev. B Page 1/1