

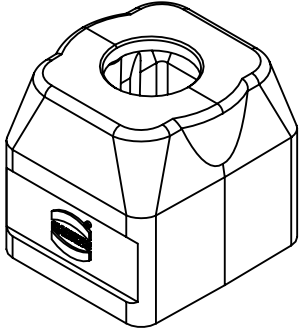
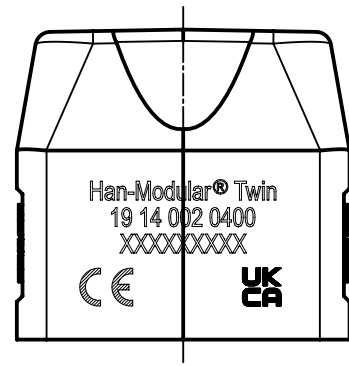
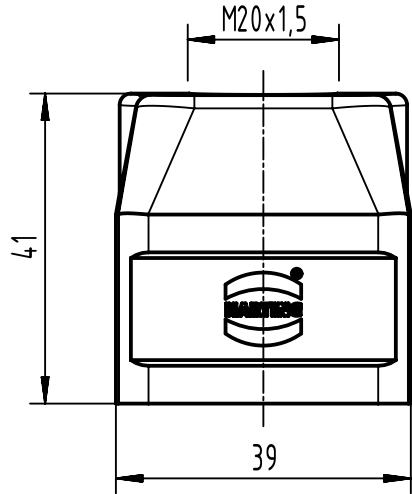
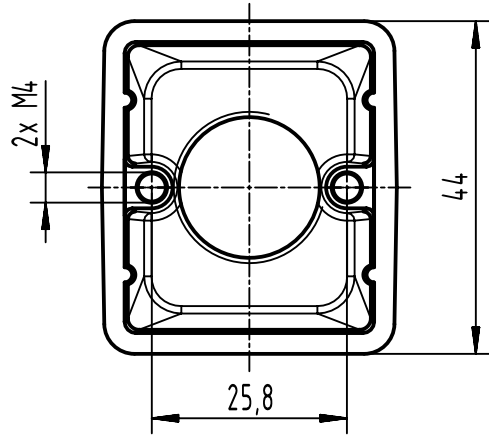
1 2 3 4 5 6

A


B

C

D



max. tightening torque 6Nm for M20x1.5

	All rights reserved Department EL PD	All Dimensions in mm Original Size DIN A4		Scale 1:1	Free size tol.	Ref. Sub. TB 1914-0020400 v. 16.02.09	
		Created by SPREENB	Inspected by RIEPE	Standardisation	Date 2021-11-03	State Final Release	
HARTING D-32339 Espelkamp		Title Han-Modular Twin hood top entry M20				Doc-Key / ECM-Nr. 100172409/UGD/005/B 500000204968	
		Type TB	Number 19 14 002 0400			Rev. B	Page 1/1