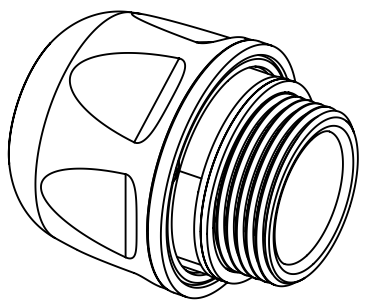
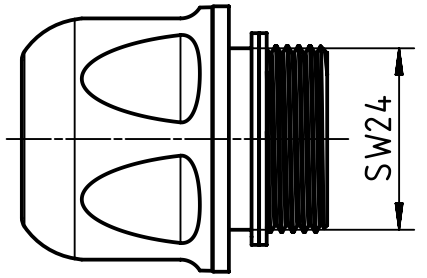
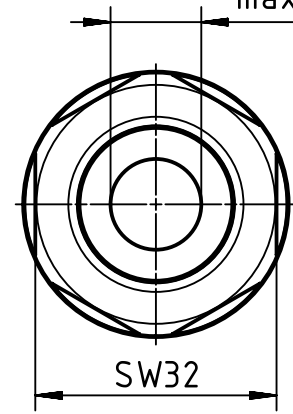
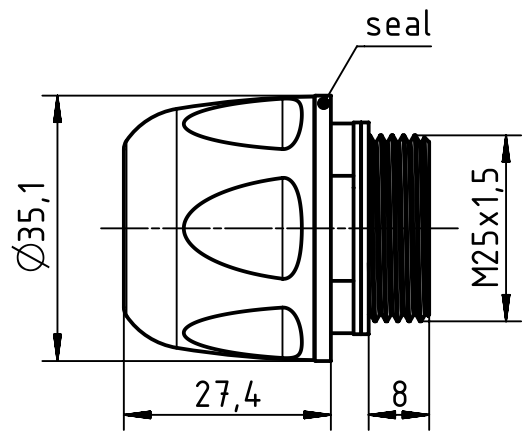


cable
min. $\varnothing 11$
max. $\varnothing 13$



Coating	A=	mm ²	V=	mm ³	m=	g	Mat.	
	All Dimensions in mm Original Size DIN A4		Scale 1:1	Free size tol.			Ref.	
	All rights reserved Department EL PD		Created by HELLMANN	Inspected by RIEPE	Standardisation RUETERA	Date 2020-01-21	State Final Release	
HARTING Electric GmbH & Co. KG D-32339 Espelkamp			Title Han CGM-P F+B M25x1,5 D. 11-13 black				Doc-Key / ECM-Nr. 100875786/UGD/001/A 500000164469	
			Type TB	Number 19 15 503 5196			Rev. A	Page 1/1