

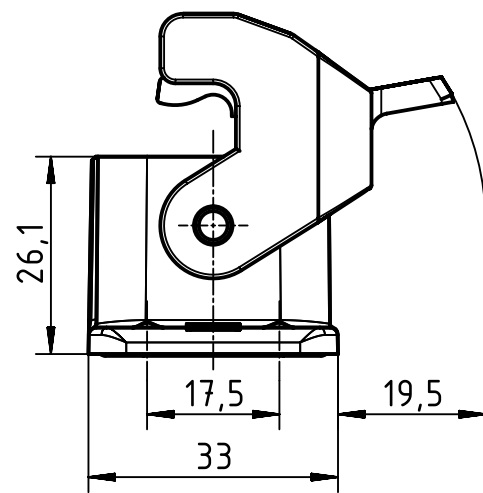
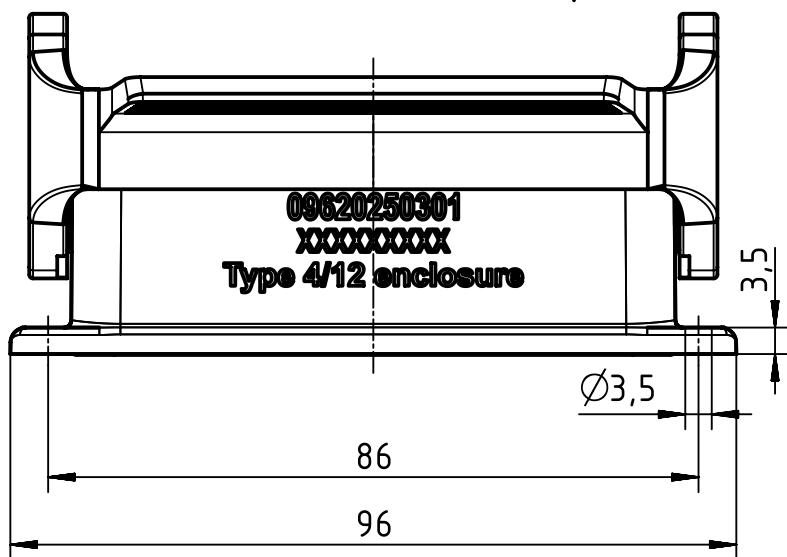
1 2 3 4 5 6

A

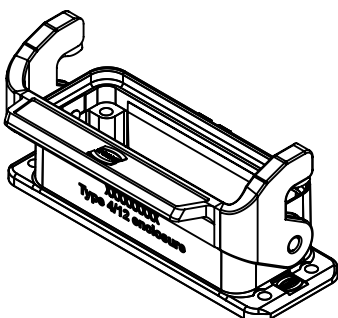
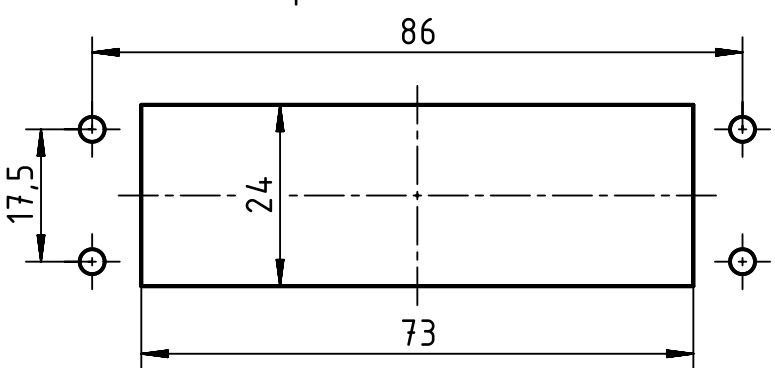
B

C

D



panel cut out



| | | | | | | |
|---|--|--|--------------------------------|--------------------------|----------------------------|--|
| | All Dimensions in mm Original Size DIN A4 | | Scale 1:1 | Free size tol. | | Ref. |
| | | | | | | Sub. |
| | All rights reserved | | Created by FINKEV | Inspected by GERB | Standardisation RUETERA | Date 2018-11-26 |
| | Department EL PD | | | | | State Final Release |
| HARTING Electric GmbH & Co. KG D-32339 Espelkamp | | | Title Han EMC 25 Base Panel | | | Doc-Key / ECM-Nr. 100090394/UGD/006/A 500000143547 |
| | | | Type TB | Number 09 62 025 0301 | | Rev. A Page 1/1 |