

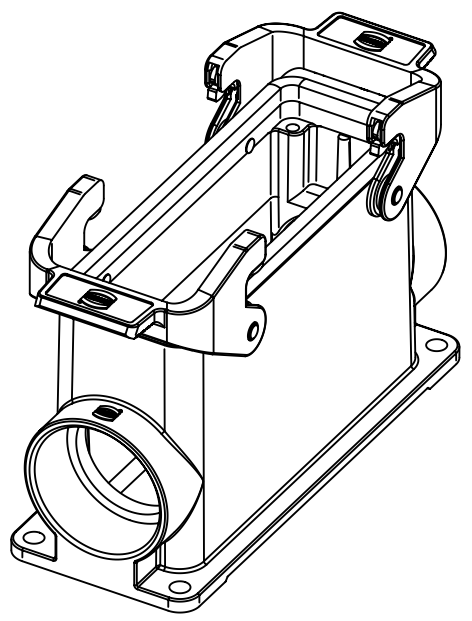
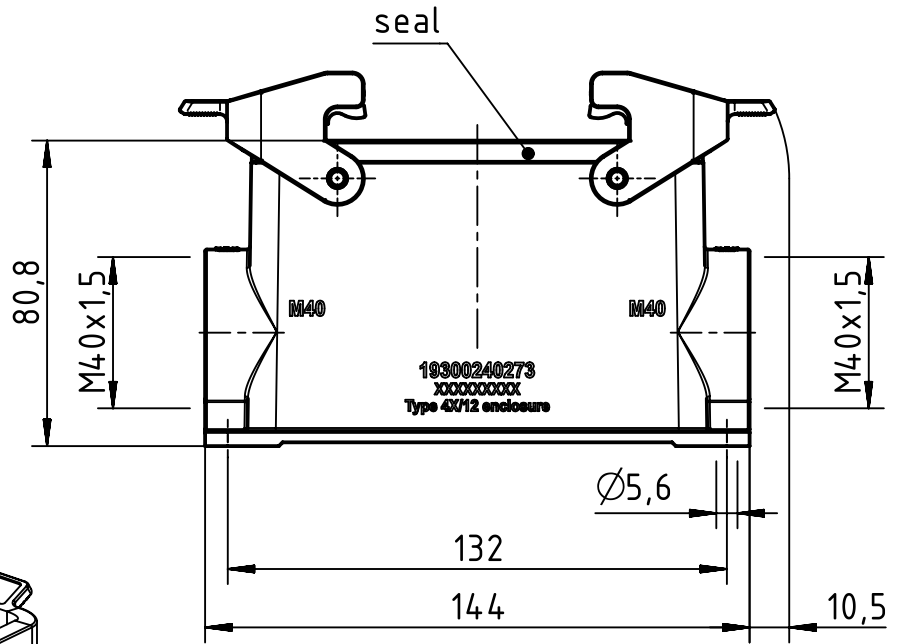
1 2 3 4 5 6

A

B

C

D



	All Dimensions in mm Original Size DIN A4		Scale 1:2	Free size tol.		Ref.
						Sub.
	All rights reserved		Created by FINKEV	Inspected by GERB	Standardisation GARSKE	Date 2020-03-16
	Department EL PD					State Final Release
HARTING Electric GmbH & Co. KG D-32339 Espelkamp			Title Han B Base Surface HC 2 Levers 2 x M40			Doc-Key / ECM-Nr. 100205787/UGD/004/B 500000166180
			Type TB	Number 19 30 024 0273		Rev. B Page 1/1