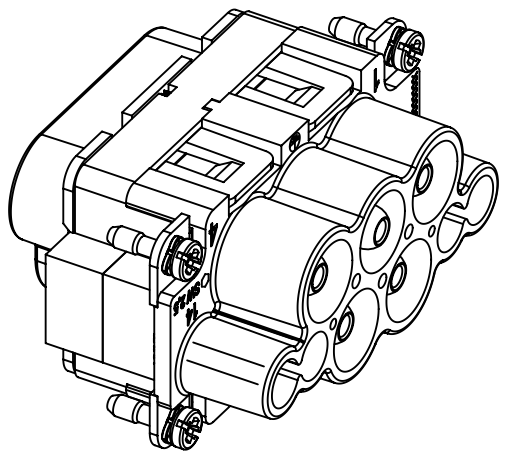
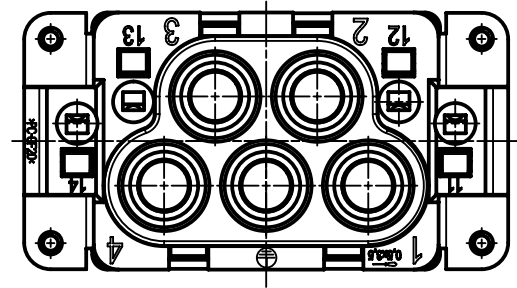
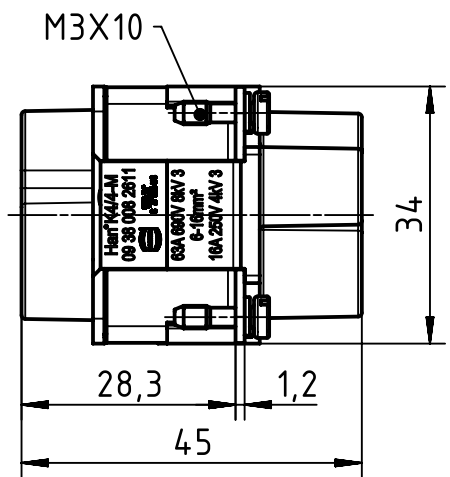
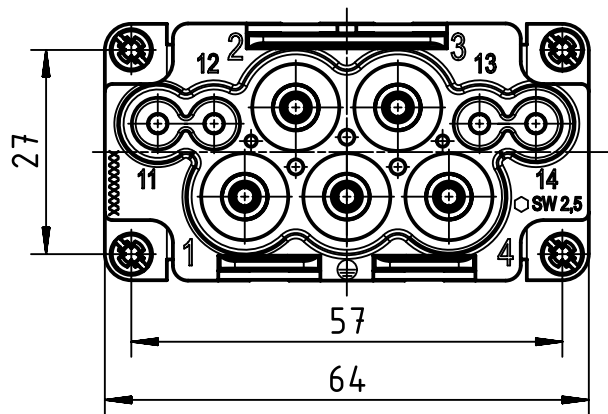


A

B

C

D



	All Dimensions in mm Original Size DIN A4	Scale 1:1		Free size tol.		Ref.	
						Sub.	
	All rights reserved Department EL PD - DE	Created by HELLMANN	Inspected by NICHTERLEIN	Standardisation SCHMIDTM	Date 2017-06-30	State Final Release	
		Title Han K4/4-M 6-16mm <sup>2</sup>					Doc-Key / ECM-Nr. 100169812/UGD/004/C 500000121121
HARTING Electric GmbH & Co. KG D-32339 Espelkamp		Type TB	Number 09 38 008 2611			Rev. C	Page 1/1