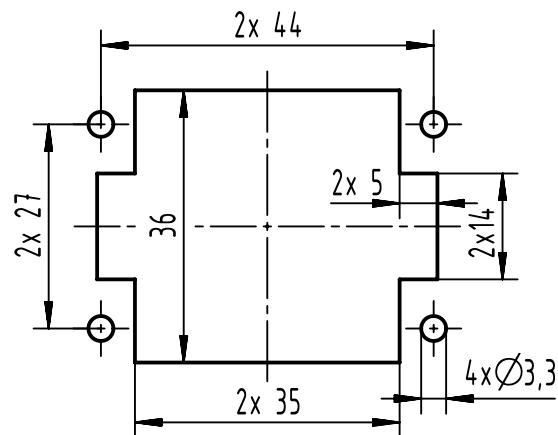


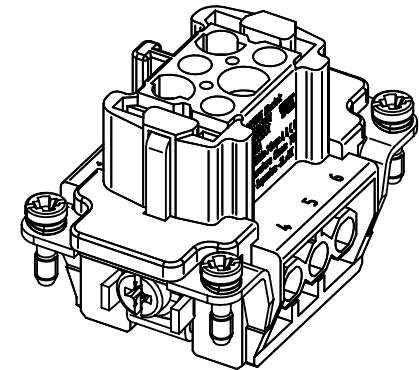
panel cut out



FOR USE WITH HAN 6E SCREW: AWG 14  
 FOR USE WITH Cable Type:  
 PLTC, PLTC-ER, ITC, ITC-ER, MC, MV, AND TC  
 FOR USE IN CLASS I, DIVISION 2 GROUPS A, B, C AND D  
 HAZARDOUS LOCATIONS OR UNCLASSIFIED LOCATIONS

THE INSTALLATION MUST BE IN ACCORDANCE WITH THE ASSOCIATED LOCATION RESTRICTIONS OF THE NATIONAL ELECTRIC CODE OR CANADIAN ELECTRICAL CODE AS APPLICABLE, INCLUDING ISSUES SUCH AS THE ROUTING, SUPPORT AND LENGTH OF THE INVOLVED CORD OR CABLE.

WARNING  
 EXPLOSION HAZARD  
 DO NOT CONNECT  
 OR DISCONNECT  
 UNDER LOAD!



	All rights reserved Department EL PD	All Dimensions in mm Original Size DIN A4	Scale 1:1	Free size tol.	Ref. Sub.
	HARTING D-32339 Espelkamp	Created by HELLMANN	Inspected by SCHNIEDER	Standardisation SAP_WFRT	Date 2022-06-03
Title Han 6Ex UL-F-s		State Final Release			Doc-Key / ECM-Nr. 100669978/UGD/002/D 500000218293
Type TB		Number 09 36 506 2701			Rev. D
					Page 1/1