

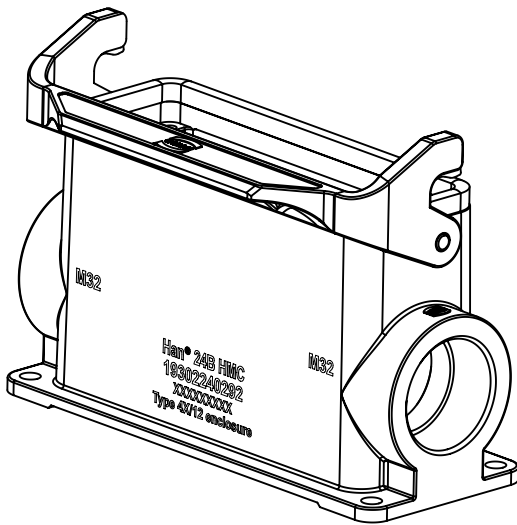
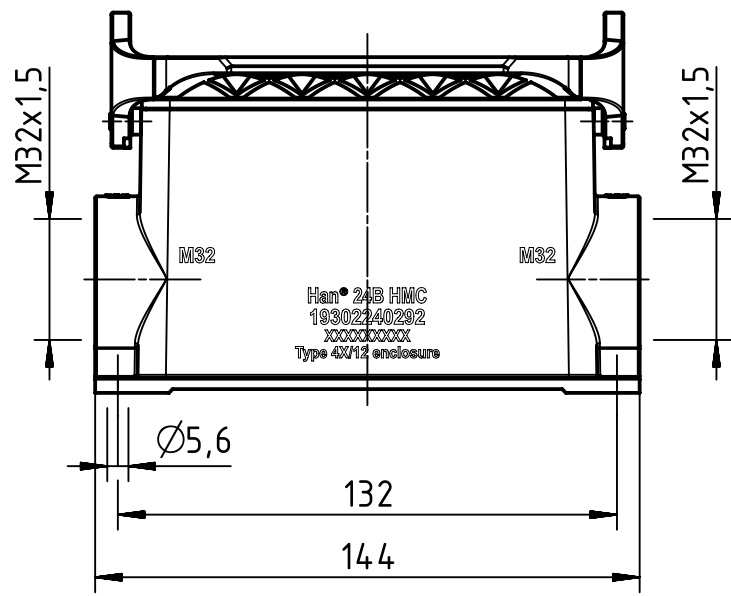
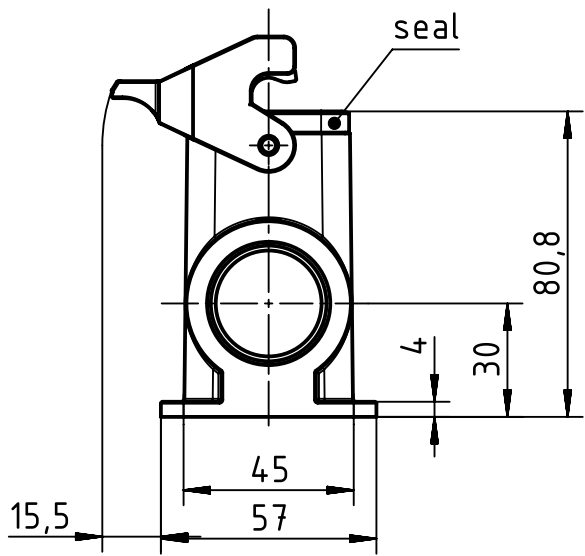
1 2 3 4 5 6

A

B

C

D



	All Dimensions in mm Original Size DIN A4		Scale 1:2	Free size tol.		Ref.
						Sub.
	All rights reserved		Created by SPRENB	Inspected by SUNDERMEIER	Standardisation GARSKE	Date 2020-03-03
	Department EL PD					State Final Release
HARTING Electric GmbH & Co. KG D-32339 Espelkamp			Title Han 24B-HMC-asg2-LB-M32			Doc-Key / ECM-Nr. 100534478/UGD/002/C 500000167394
			Type TB	Number 19 30 224 0292		Rev. C Page 1/1