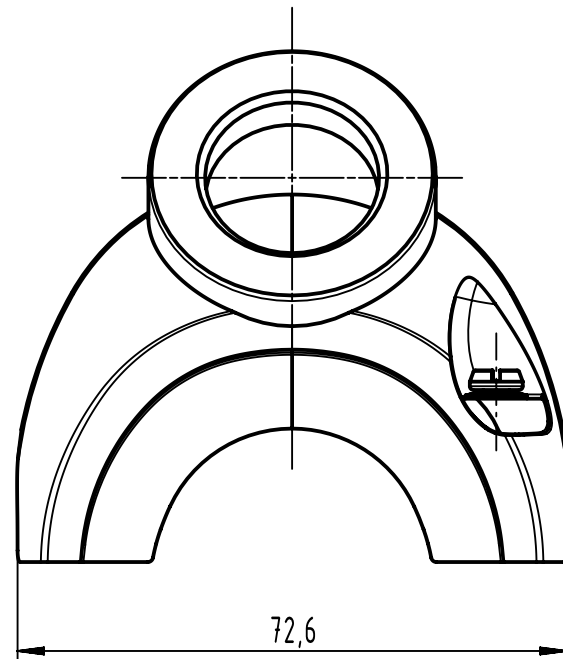
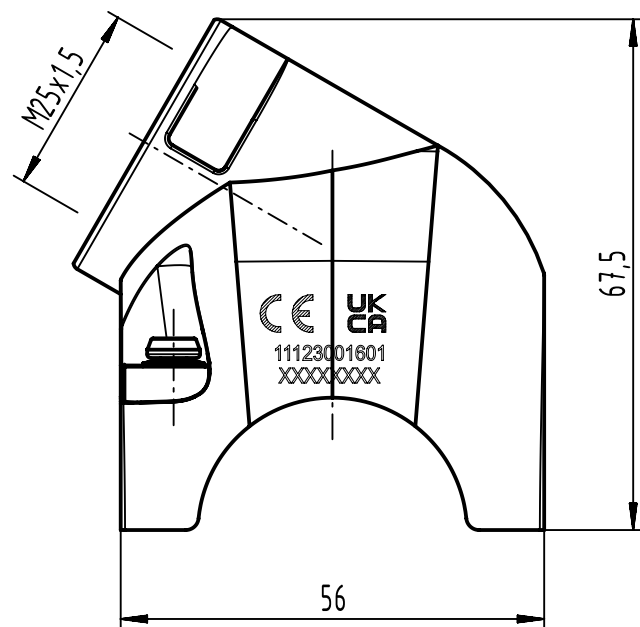


A

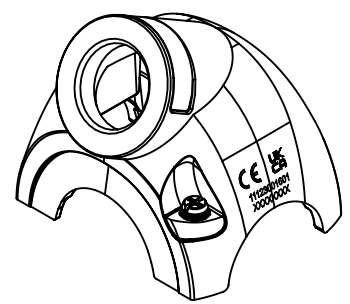
B

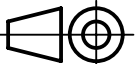

C

D



range of delivery: shell with M4 screws, washers and seals  
to mount on carrier hood



	All Dimensions in mm Original Size DIN A4		Scale 1:1	Free size tol.		Ref.		
						Sub.		
	All rights reserved		Created by HELLMANN	Inspected by GERB	Standardisation	Date 2021-11-09	State Final Release	
	Department EL PD		Title Han-Yellock 30 Hood-M25 angled				Doc-Key / ECM-Nr. 100212389/UGD/006/A 500000204234	
HARTING D-32339 Espelkamp			Type TB	Number 11 12 300 1601			Rev. A	Page 1/1