

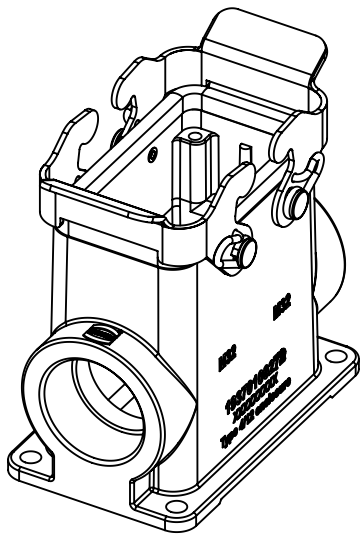
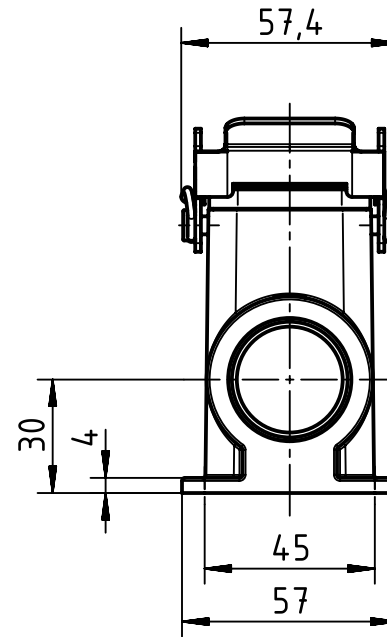
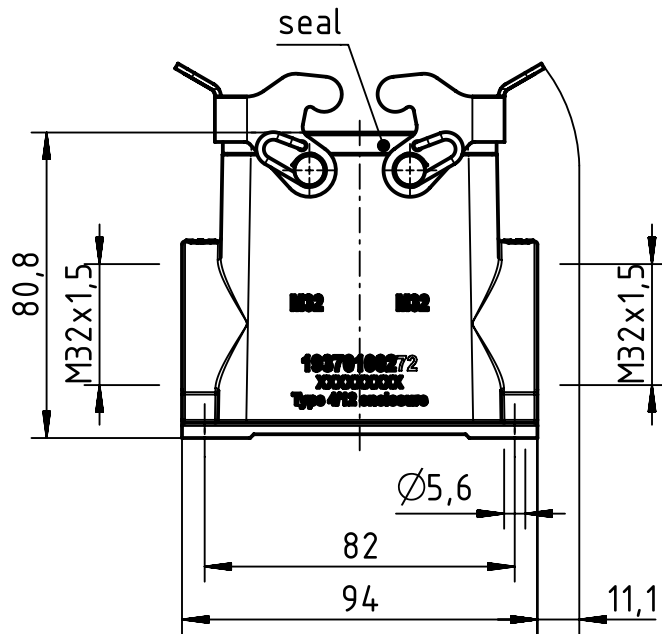
1 2 3 4 5 6


A

B

C

D



	All rights reserved Department EL PD	All Dimensions in mm Original Size DIN A4		Scale 1:2	Free size tol.		Ref.	
		HARTING Electric GmbH & Co. KG D-32339 Espelkamp		Created by SPREENB	Inspected by GERB	Standardisation GARSKE	Date 2019-12-04	State Final Release
Title Han 10M-asg2-QB-M32							Doc-Key / ECM-Nr. 100192067/UGD/004/E 500000161045	
			Type TB	Number 19 37 010 0272			Rev. E	Page 1/1