

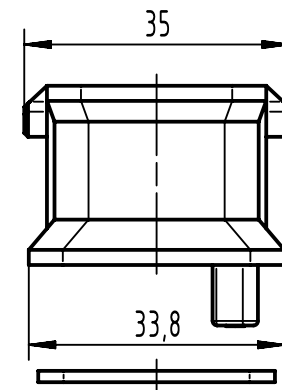
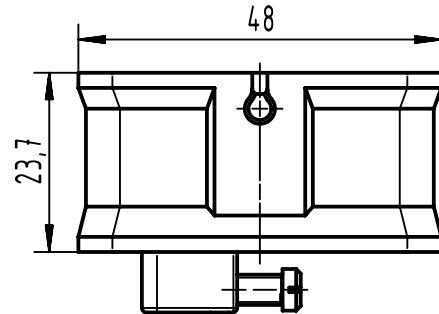
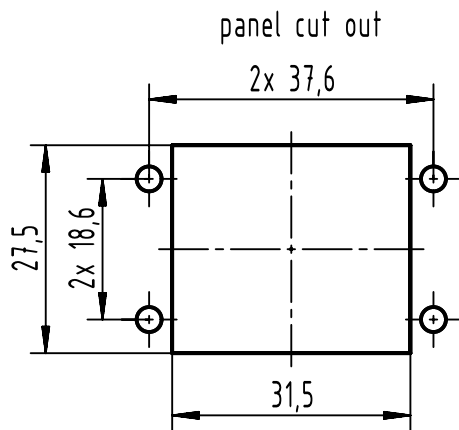
1 2 3 4 5 6

A

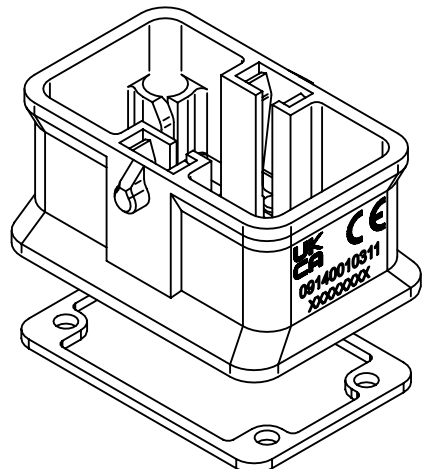
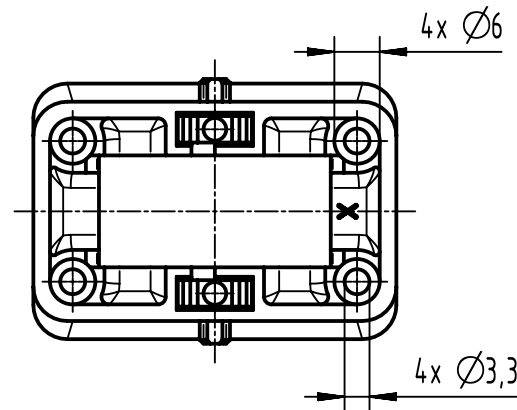
B

C

D



gasket is enclosed



	All rights reserved Department EL PD	All Dimensions in mm Original Size DIN A4		Scale 1:1	Free size tol.	Ref. Sub.	
		Created by BALSAN	Inspected by 402602	Standardisation SAP_WFRT	Date 2022-10-24	State Final Release	
HARTING D-32339 Espelkamp		Title Han-Modular Compact carrier hood				Doc-Key / ECM-Nr. 100132860/UGD/003/E 500000219560	
		Type TB	Number 09 14 001 0311			Rev. E	Page 1/1