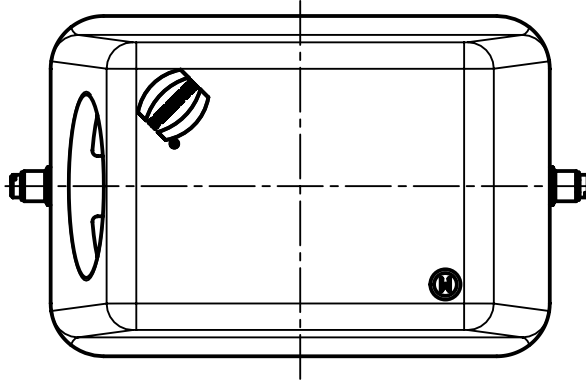
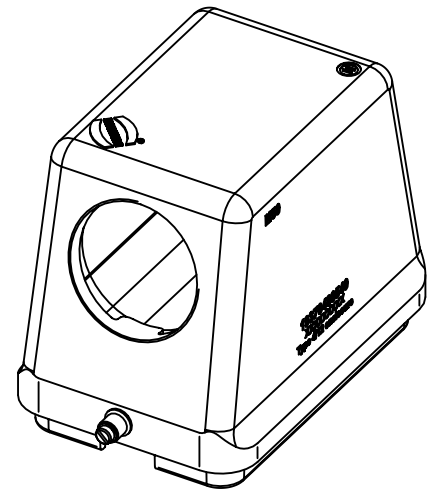
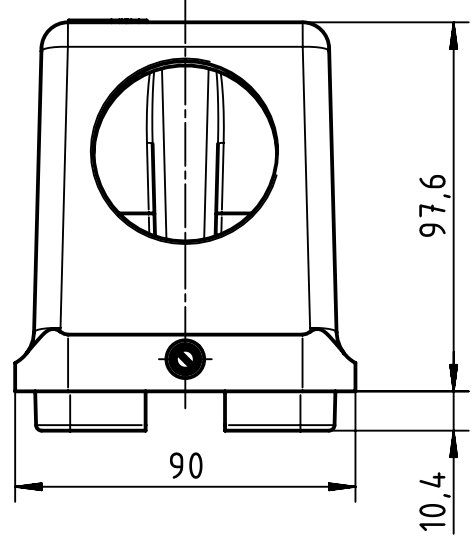
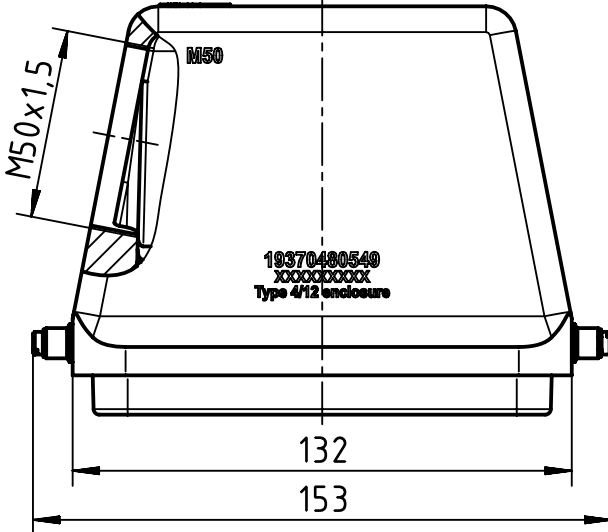



1 2 3 4 5 6

A
B
C
D



	All rights reserved		Created by RULLKOETTER		Inspected by NICHTERLEIN		Standardisation SCHMIDTM		Date 2015-12-16		State Final Release	
	Department EL PD - DE		Title Han 48M-gs-M50		Number 19 37 048 0549		Doc-Key / ECM-Nr. 100173593/UGD/004/B 500000098066		Rev. B		Page 1/1	
HARTING Electric GmbH & Co. KG D-32339 Espelkamp			All Dimensions in mm Original Size DIN A4		Scale 1:2		Free size tol.		Ref. Sub.			