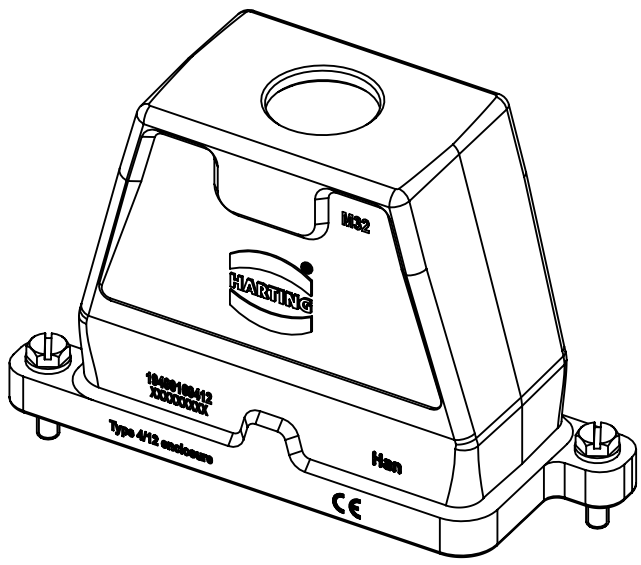
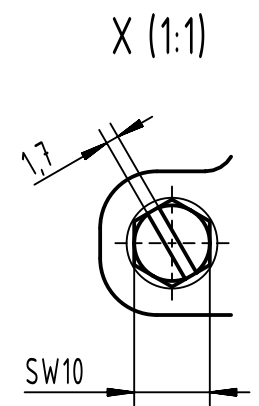
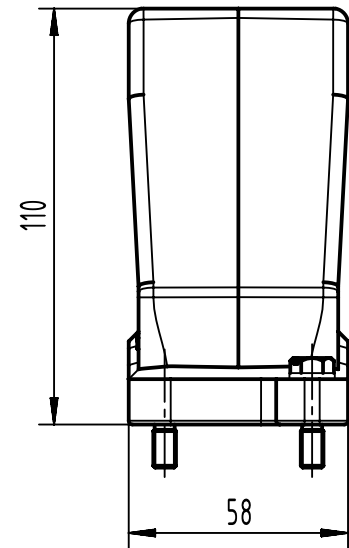
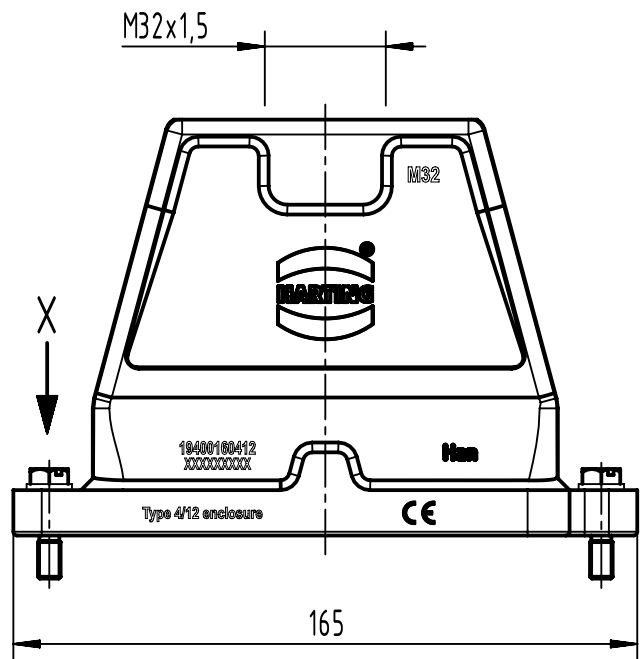


A

B

C

D



	All Dimensions in mm Original Size DIN A4		Scale 1:2	Free size tol.		Ref.	
						Sub.	
	All rights reserved		Created by HELLMANN	Inspected by GERB	Standardisation RUETERA	Date 2020-12-18	
	Department EL PD					State Final Release	
HARTING			Title Han 16HPR-HTE-SL-M32			Doc-Key / ECM-Nr. 100170360/UGD/004/C 500000184418	
D-32339 Espelkamp			Type TB	Number 19 40 016 0412			
						Rev. C	Page 1/1