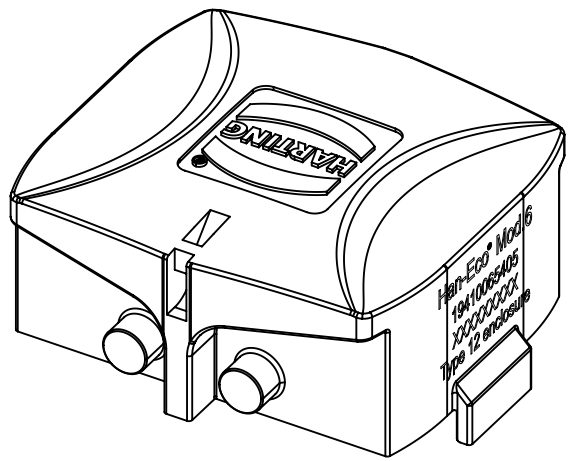
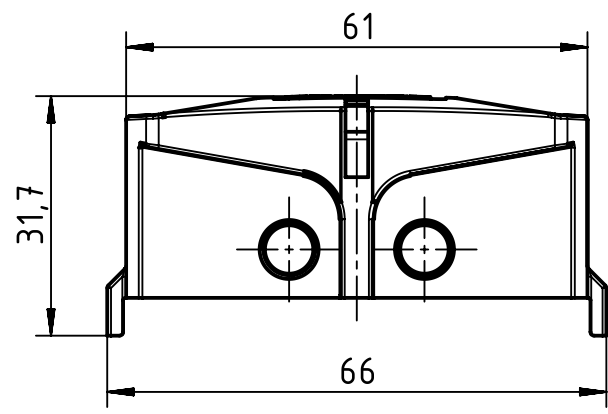
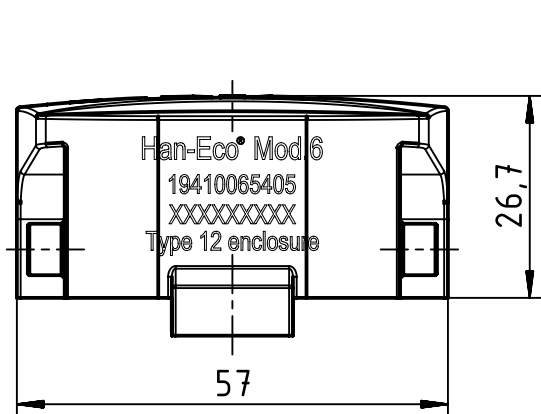


A

B

C

D



	All Dimensions in mm Original Size DIN A4		Scale 1:1	Free size tol.		Ref. Sub. TB 19 41 006 5405 v. 28.07.11	
		All rights reserved Department EL PD		Created by SPRENB	Inspected by BERGHORN	Standardisation SCHMIDTM	Date 2018-09-12
HARTING Electric GmbH & Co. KG D-32339 Espelkamp		Title Han-Eco Mod.6-C-f. HBM/HSM/HCC				Doc-Key / ECM-Nr. 100216841/UGD/004/A 500000137705	
		Type TB	Number 19 41 006 5405			Rev. A	Page 1/1