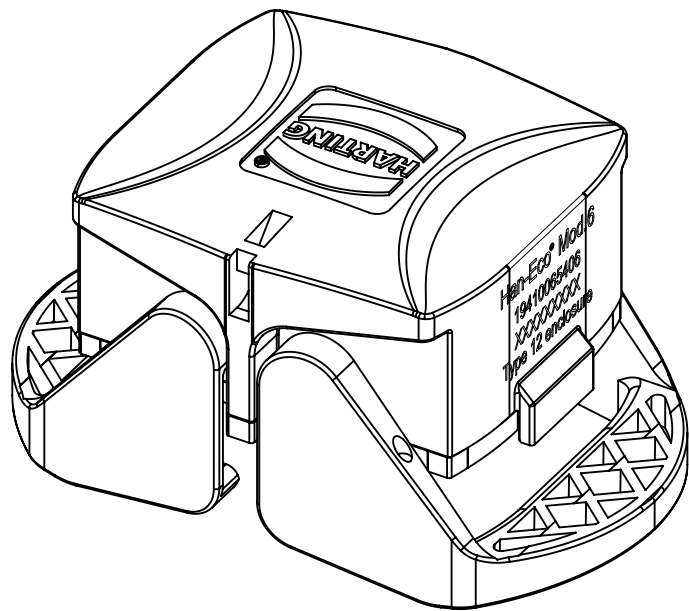
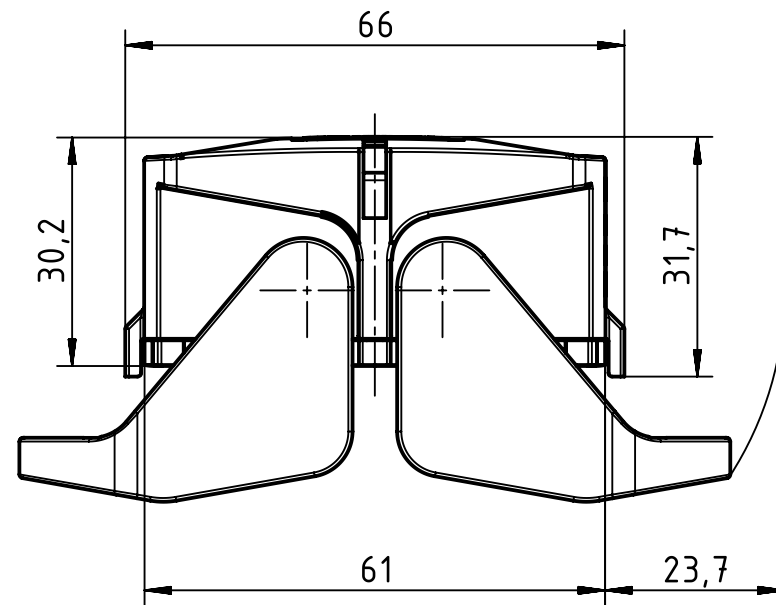
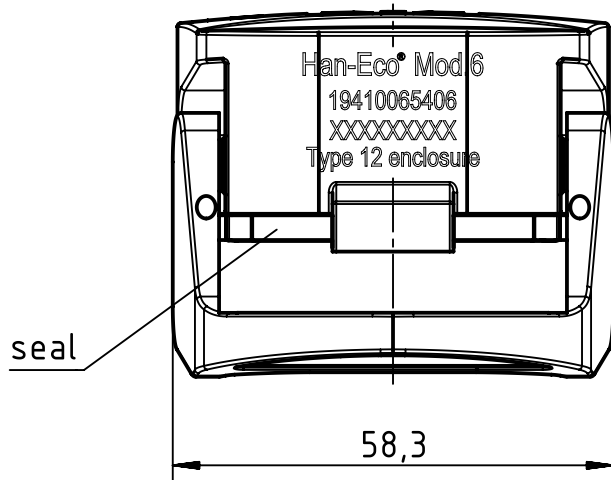


1 2 3 4 5 6

A
B
C
D



	All Dimensions in mm Original Size DIN A4		Scale 1:1	Free size tol.		Ref. Sub. TB 19 41 006 5406 v. 28.07.11	
		All rights reserved	Created by SPRENB	Inspected by BERGHORN	Standardisation SCHMIDTM	Date 2018-09-12	State Final Release
Department EL PD		Title Han-Eco Mod.6-C-f. HTE/HSE				Doc-Key / ECM-Nr. 100216843/UGD/005/A 500000137705	
HARTING Electric GmbH & Co. KG D-32339 Espelkamp		Type TB	Number 19 41 006 5406			Rev. A	Page 1/1