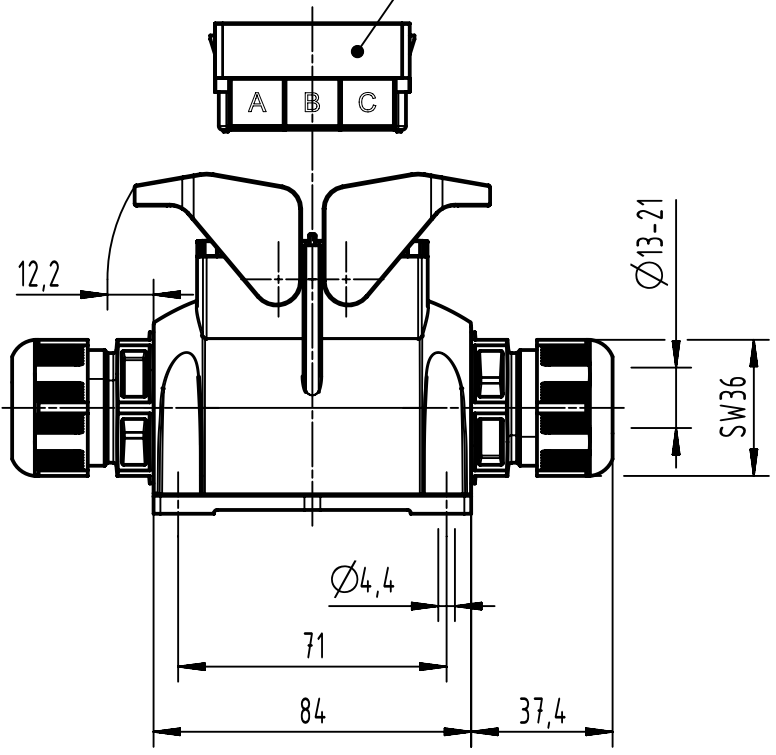
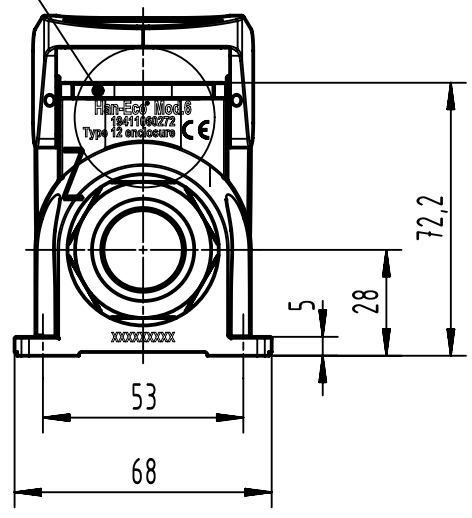


adapter frame



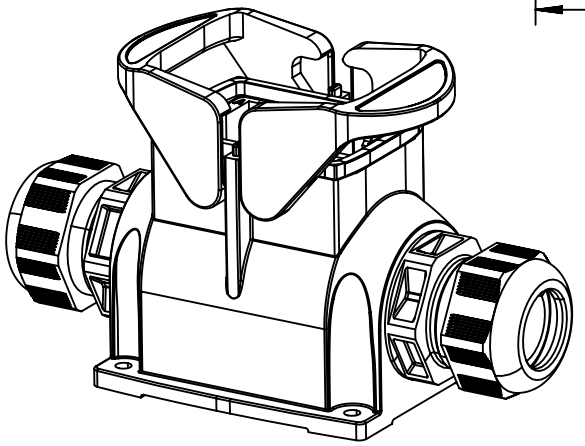
seal



Z (1:1)



adapter frame and cable glands are enclosed



	All rights reserved Department EL PD	All Dimensions in mm Original Size DIN A4		Scale 1:2	Free size tol.	Ref.
		Created by 402918	Inspected by 402602	Standardisation 302077	Date 2021-03-01	State Final Release
HARTING D-32339 Espelkamp		Title Han-Eco Mod.6-HSM2-M32-glanded			Doc-Key / ECM-Nr. 100222554/UGD/004/F 500000189853	
		Type TB	Number 19 41 106 0272		Rev. F	Page 1/1