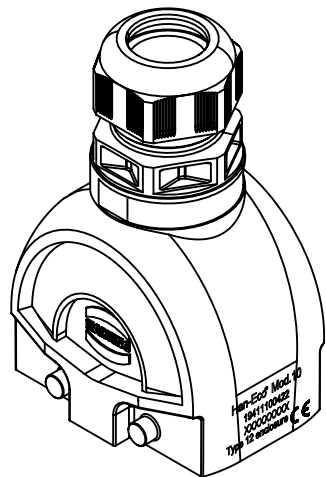
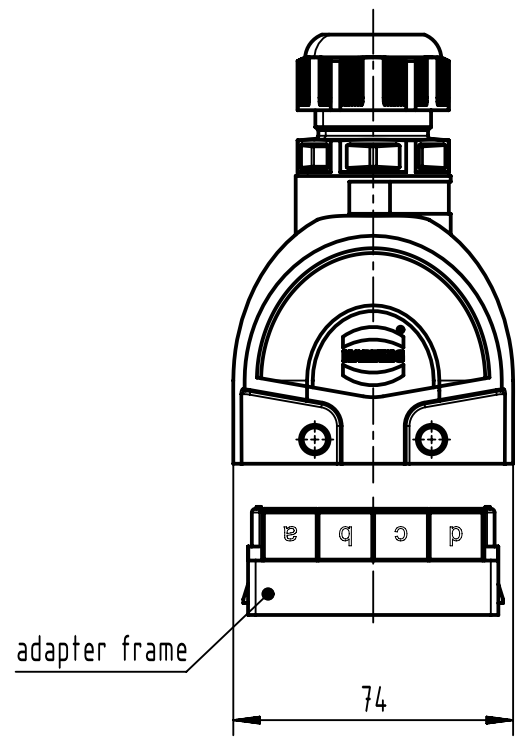
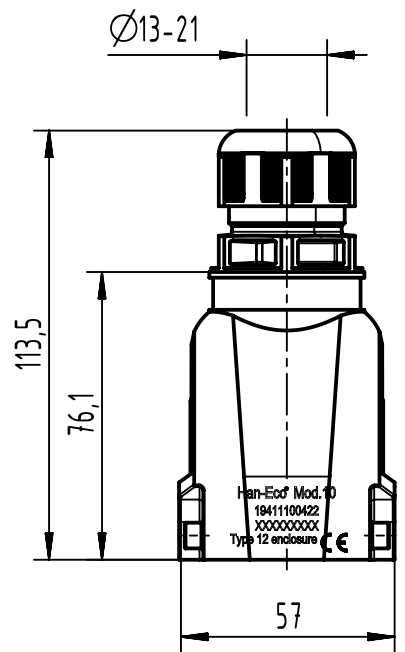


A

B

C

D



	All Dimensions in mm Original Size DIN A4		Scale 1:2	Free size tol.		Ref.		
						Sub.		
	All rights reserved		Created by BALSAN	Inspected by 402602	Standardisation 302077	Date 2021-02-23	State Final Release	
	Department EL PD		Title Han-Eco 10B-gg-M32 with cable glands				Doc-Key / ECM-Nr. 100185058/UGD/005/C 500000189866	
HARTING D-32339 Espelkamp			Type TB	Number 19 41 110 0422			Rev. C	Page 1/1