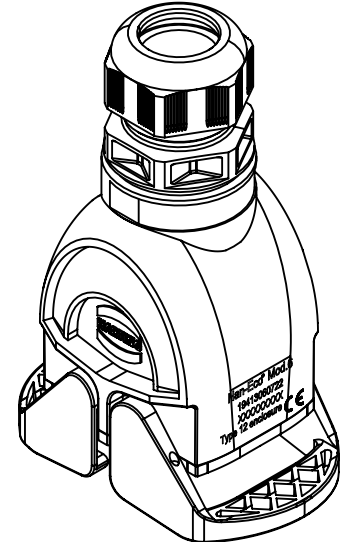
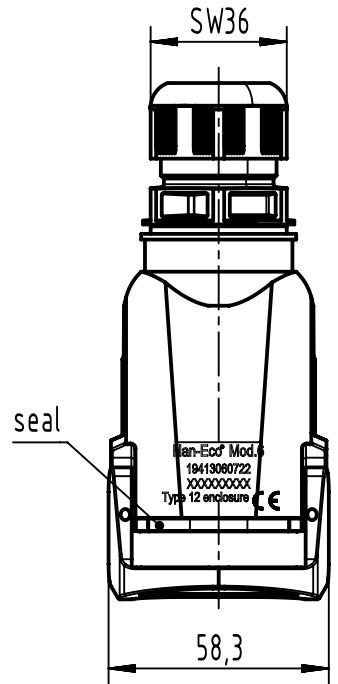
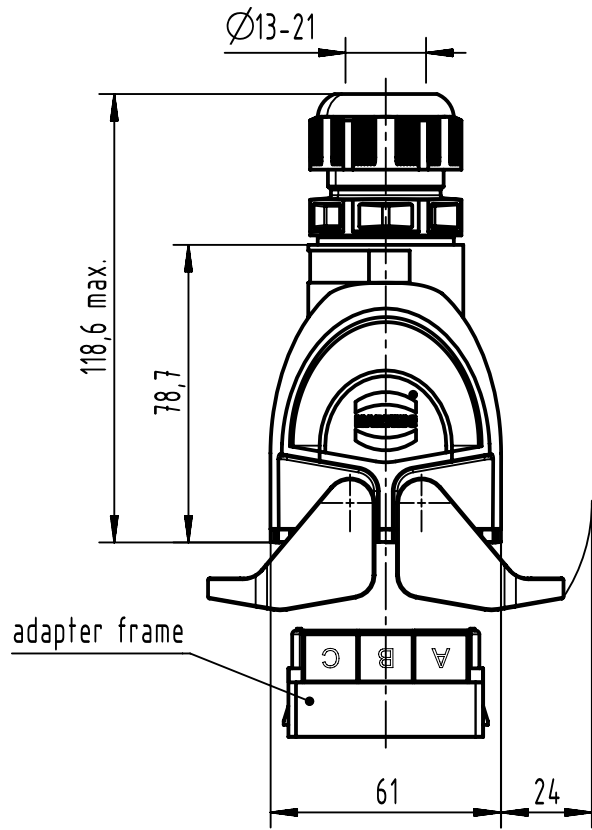



A

B

C

D



	All rights reserved Department EL PD		Created by BALSAN	Inspected by 402602	Standardisation 302077	Date 2021-03-05	State Final Release
	HARTING D-32339 Espelkamp		Title Han-Eco Mod.6 Outd.-HCC-M32-glanded			Doc-Key / ECM-Nr. 100554866/UGD/000/G 500000190646	
			Type TB	Number 19 41 306 0722		Rev. G	Page 1/1