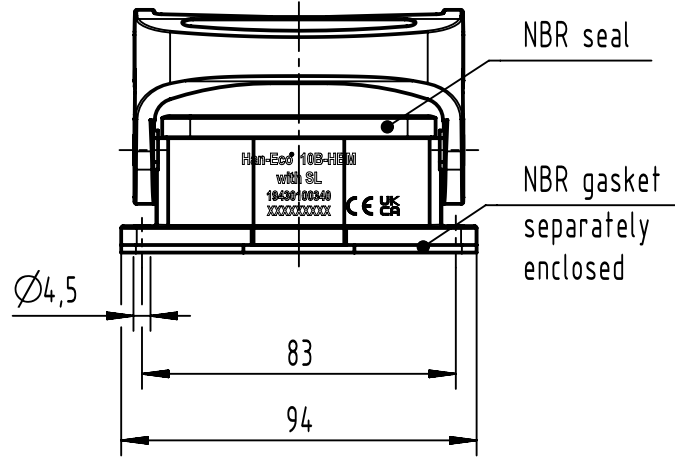
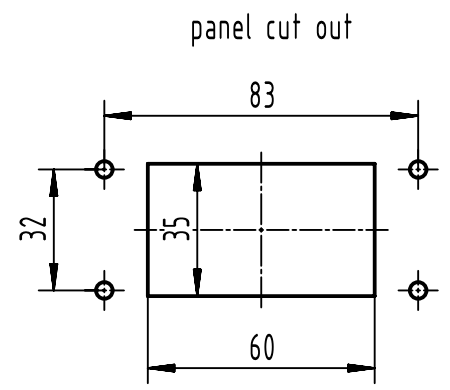
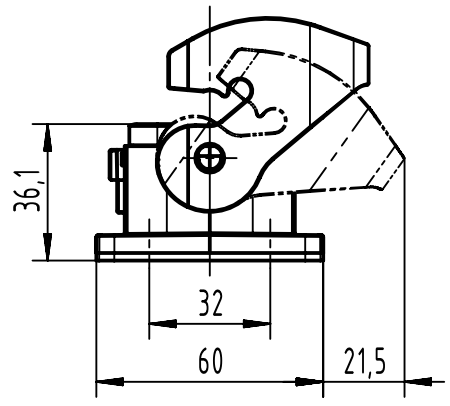


1 2 3 4 5 6

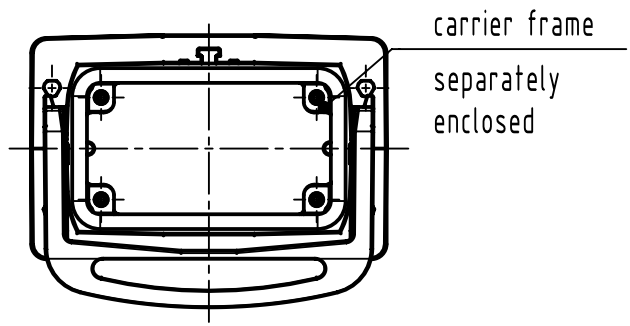
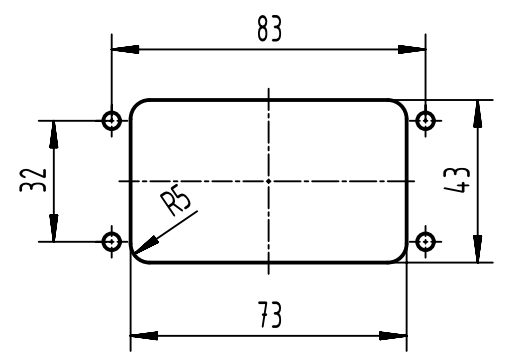
A
B
C
D



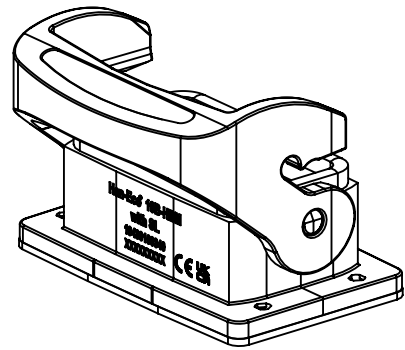
NBR seal
NBR gasket separately enclosed



panel cut out
for assembly from the inner side of cabinet



carrier frame separately enclosed



	All Dimensions in mm Original Size DIN A4		Scale 1:2	Free size tol.		Ref.		
						Sub.		
	All rights reserved		Created by SPRENB	Inspected by HERBRECHTSME	Standardisation	Date 2023-06-02	State Final Release	
	Department EL PD		Title Han-Eco 10B-HBM-with SL				Doc-Key / ECM-Nr. 100739512/UGD/001/C 500000243573	
HARTING D-32339 Espelkamp			Type TB	Number 19 43 010 0340			Rev. C	Page 1/1