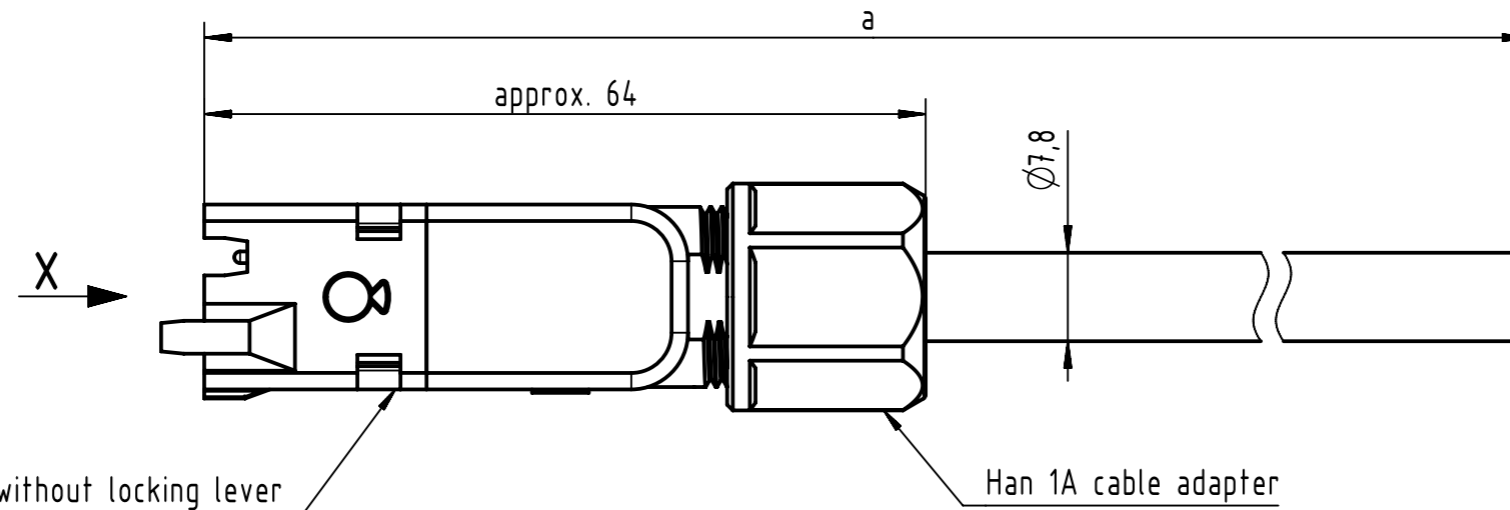


Connector Location A

Connector Location B

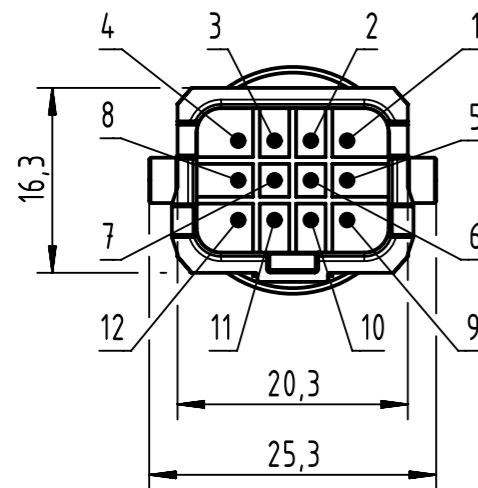


Han 1A Signal 12-pole, without locking lever

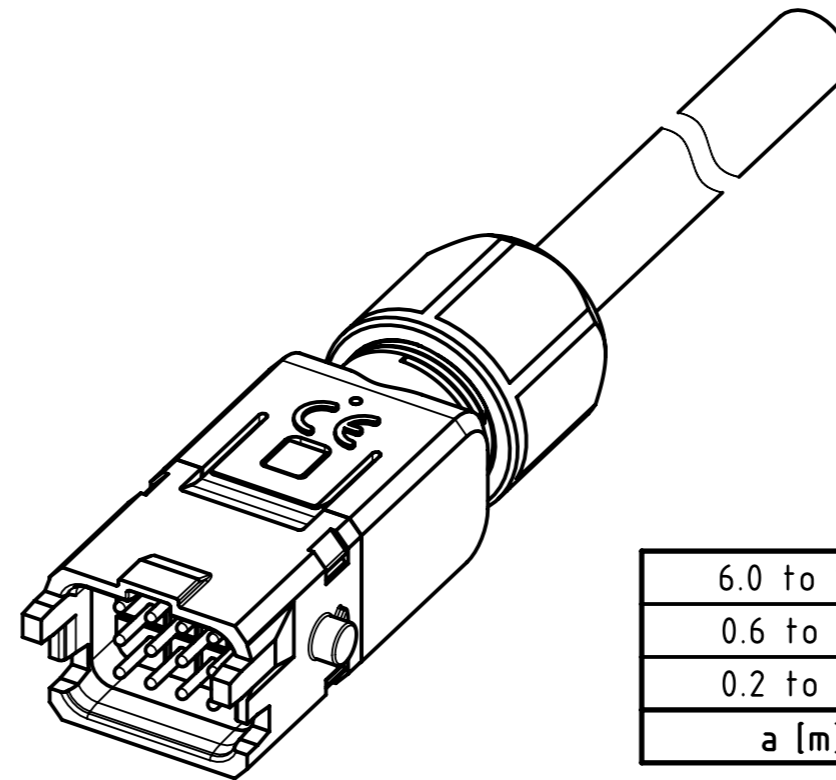
Han 1A cable adapter

X
male

Loading Plan
acc. to DIN 47100



- 1 white
- 2 brown
- 3 green
- 4 yellow
- 5 grey
- 6 pink
- 7 blue
- 8 red
- 9 black
- 10 violet
- 11 grey-pink
- 12 red-blue



6.0 to 100	±1%
0.6 to 5.9	+0.04
0.2 to 0.5	+0.02
a [m]	Tolerance

length in "1m" step	100	XXX=000
	99	XXX=990
	12	XXX=120
	11	XXX=110
length in "0.1m" step	10	XXX=100
	9.9	XXX=099
	9.8	XXX=098
	0.5	XXX=005
	0.4	XXX=004
	0.3	XXX=003
	0.2	XXX=002
Step	a [m]	XXX

NOTE:
 * Gold plated contacts
 - Protection level: IP65
 - Temperature range: -30°C ... +80°C

TRONIC(LiYY) 12x0.34mm ² , PVC, grey	33501400304XXX
Type of cable	Part no.

All rights reserved Department HCS - RO HARTING Customised Solutions D-32339 Espelkamp	All Dimensions in mm	Tech. Character.	Free size tol.	According to production drawing
	Created by 402676 Gross	Inspected by COSTEA Costea	Standardisation MUNTEANV Muntean	Date 2020-12-17
Title Han1A CA 12 Pole -lever m/- PVC		Doc-Key / ECM-Nr. 100838843/UGD/000/B 500000186436		Rev. B
Type TB		Number 33501400304XXX		Page 1/1