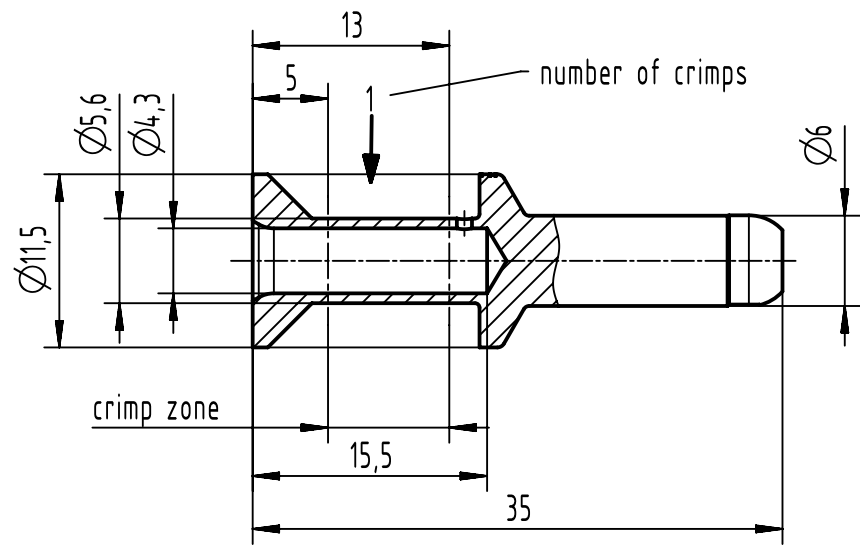


A

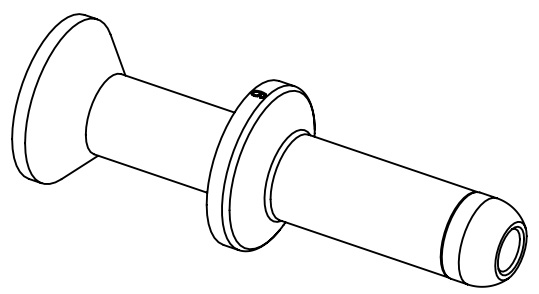
B


C

D



assembly notes see catalog
 crimp zone acc. to DIN EN 46235, indicator 6
 for stranded fine wire acc. to VDE 0295 class 5/IEC 60228 class 5
 wire gauge: 10mm²
 stripping length: 15,5 mm



	All rights reserved Department EL PD	All Dimensions in mm Original Size DIN A4		Scale 2:1	Free size tol.	Ref.	
		Created by HELLMANN	Inspected by NICHTERLEIN	Standardisation SAP_WFRT	Date 2022-10-10	State Final Release	
HARTING D-32339 Espelkamp		Title Han TC70 M-contact 10mm ² protected				Doc-Key / ECM-Nr. 100848830/UGD/001/C 500000224.804	
		Type TB	Number 09 11 000 7100			Rev. C	Page 1/1