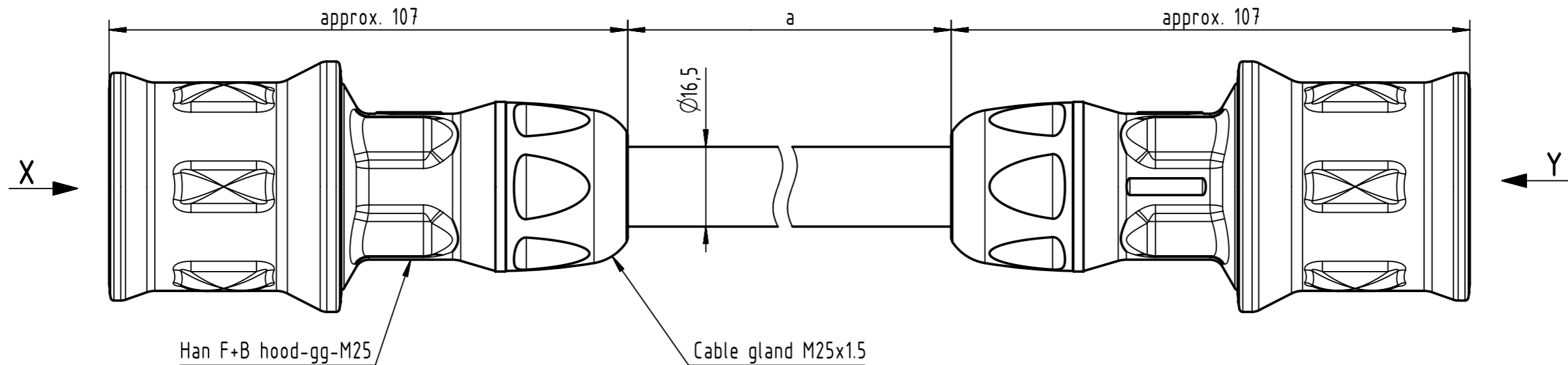


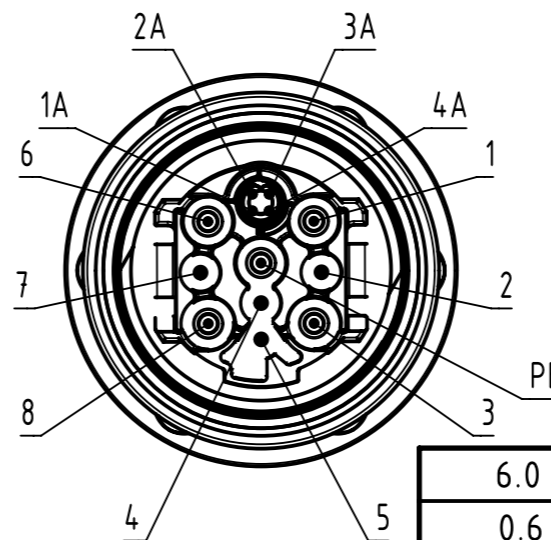
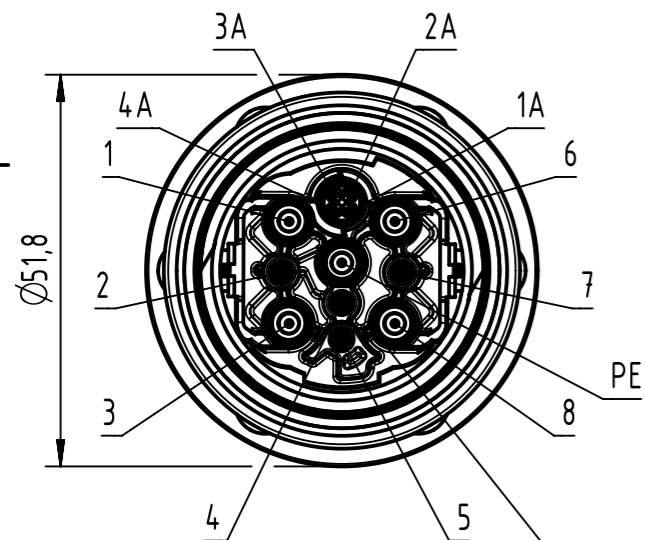
Connector Location A

Connector Location B



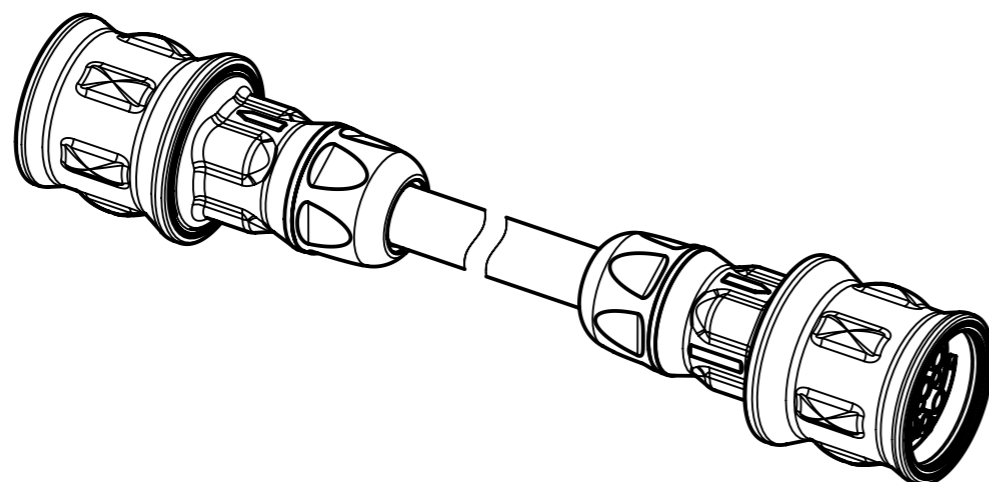
X female

Y male



Pin Conn. Loc. A	Wire	Pin Conn. Loc. B
1	Brown (2.5mm ²)	1
2	Brown (1.5mm ²)	2
3	Black (2.5mm ²)	3
4	White (0.75mm ²)	4
5	Red (0.75mm ²)	5
6	Grey (2.5mm ²)	6
7	Blue (1.5mm ²)	7
8	Blue (2.5mm ²)	8
PE	Green/yellow (2.5mm ²)	PE
1A	Yellow (AWG22)	1A
2A	White (AWG22)	2A
3A	Orange (AWG22)	3A
4A	Blue (AWG22)	4A

Insert Han F+B Hybrid



length in "1m" step	100	XXX=000
	99	XXX=990
	.	.
length in "0.1m" step	12	XXX=120
	11	XXX=110
	10	XXX=100
	9.9	XXX=099
	9.8	XXX=098
	.	.
Step	0.5	XXX=005
	0.4	XXX=004
	0.3	XXX=003
	0.2	XXX=002
Step	a [m]	XXX

6.0 to 100	±1%
0.6 to 5.9	+0.04
0.2 to 0.5	+0.02
a [m]	Tolerance

Servocbl. 5G2.5+(2x0.75)+(2x1.5)+(4xAWG22), black	33503037140XXX
Type of cable	Part no.

All rights reserved Department HCS - RO HARTING Customised Solutions D-32339 Espelkamp	All Dimensions in mm Tech. Character. Free size tol. According to production drawing	Created by BANCIUD Banciu Title F+B Hybridcbl, f/m st/st Type TB	Inspected by 402676 Gross Standardisation MUNTEANV Muntean Date 2020-08-19 State Final Release	Doc-Key / ECM-Nr. 100906748/UGD/001/A 500000178044 Rev. A Page 1/1
	Number 33503037140XXX			