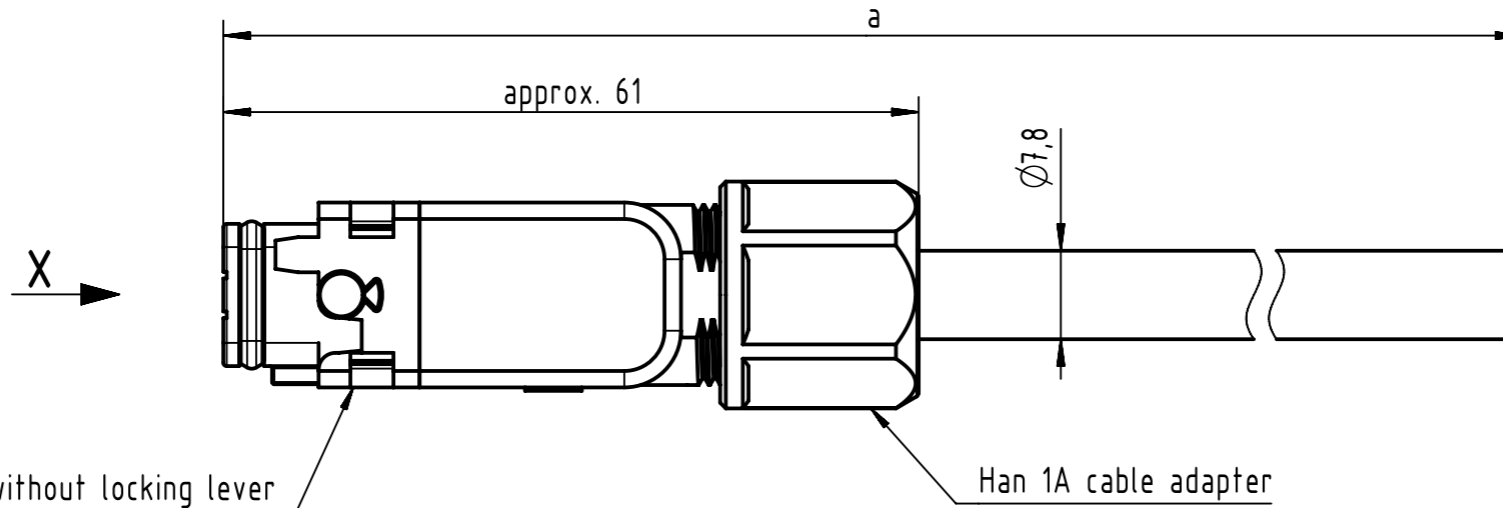


Connector Location A

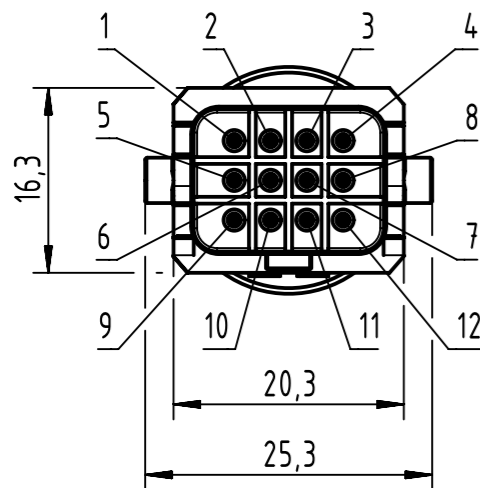
Connector Location B



Han 1A Signal 12-pole, without locking lever

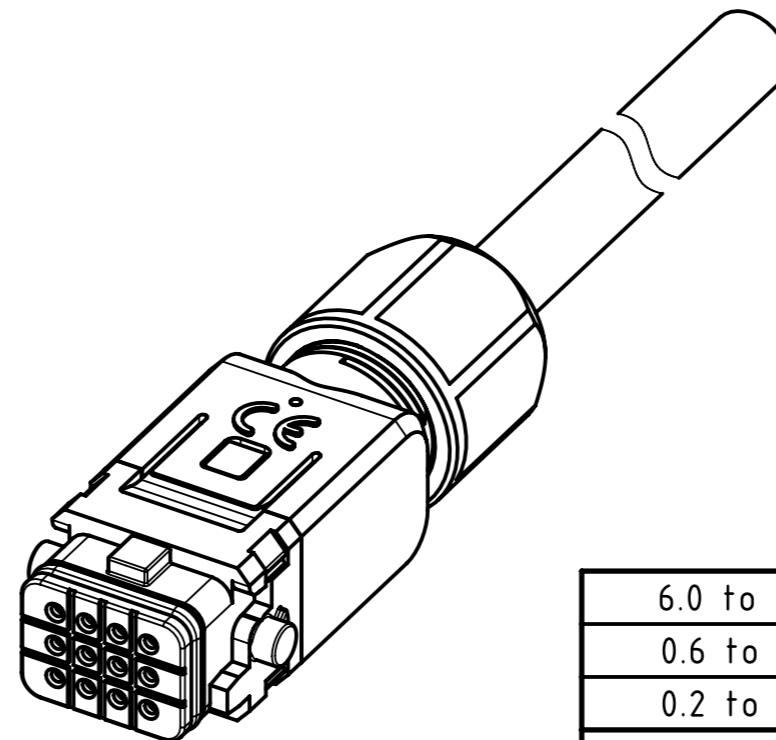
Han 1A cable adapter

X female



Loading Plan  
acc. to DIN 47100

- 1 white
- 2 brown
- 3 green
- 4 yellow
- 5 grey
- 6 pink
- 7 blue
- 8 red
- 9 black
- 10 violet
- 11 grey-pink
- 12 red-blue



6.0 to 100	±1%
0.6 to 5.9	+0.04
0.2 to 0.5	+0.02
<b>a [m]</b>	<b>Tolerance</b>

length in "1m" step	100	XXX=000
	99	XXX=990
	12	XXX=120
	11	XXX=110
length in "0.1m" step	10	XXX=100
	9.9	XXX=099
	9.8	XXX=098
	0.5	XXX=005
	0.4	XXX=004
	0.3	XXX=003
	0.2	XXX=002
<b>Step</b>	<b>a [m]</b>	<b>XXX</b>

NOTE:

- \* Gold plated contacts
- Protection level: IP65
- Temperature range: -30°C ... +80°C

TRONIC(LiYY) 12x0.34mm <sup>2</sup> , PVC, grey	33501300304XXX
<b>Type of cable</b>	<b>Part no.</b>

	All rights reserved	Created by 402676 Gross	Inspected by COSTEA Costea	Standardisation MUNTEANV Muntean	Date 2020-12-17	State Final Release	
	Department HCS - RO	Title Han1A CA 12 Pole -lever f/- PVC				Doc-Key / ECM-Nr. 100838834/UGD/000/B 500000186436	
HARTING Customised Solutions D-32339 Espelkamp		Type TB	Number 33501300304XXX			Rev. B	Page 1/1