

1 2 3 4 5 6 7 8

A

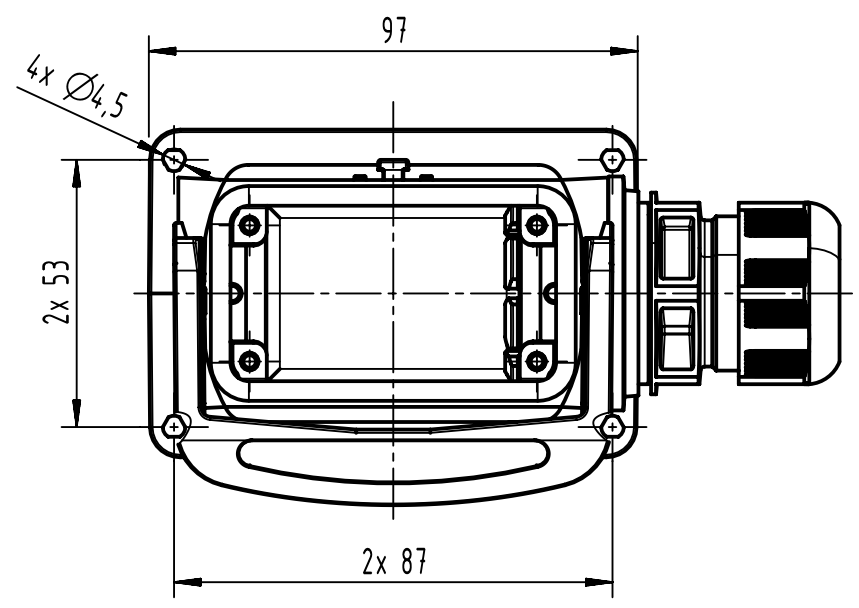
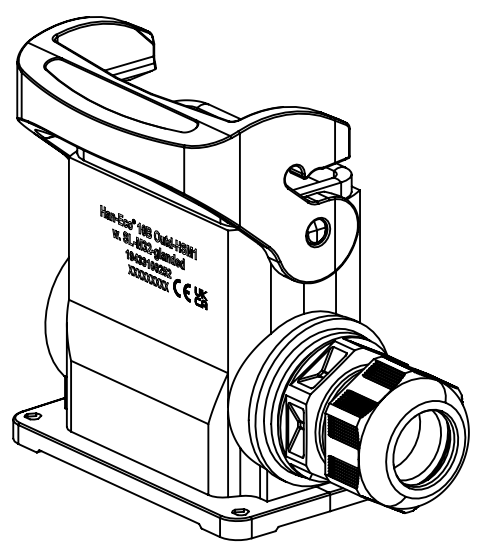
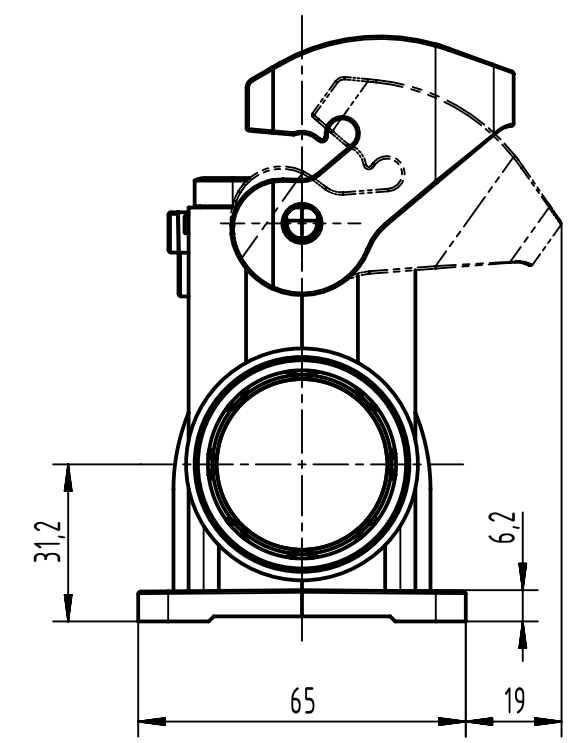
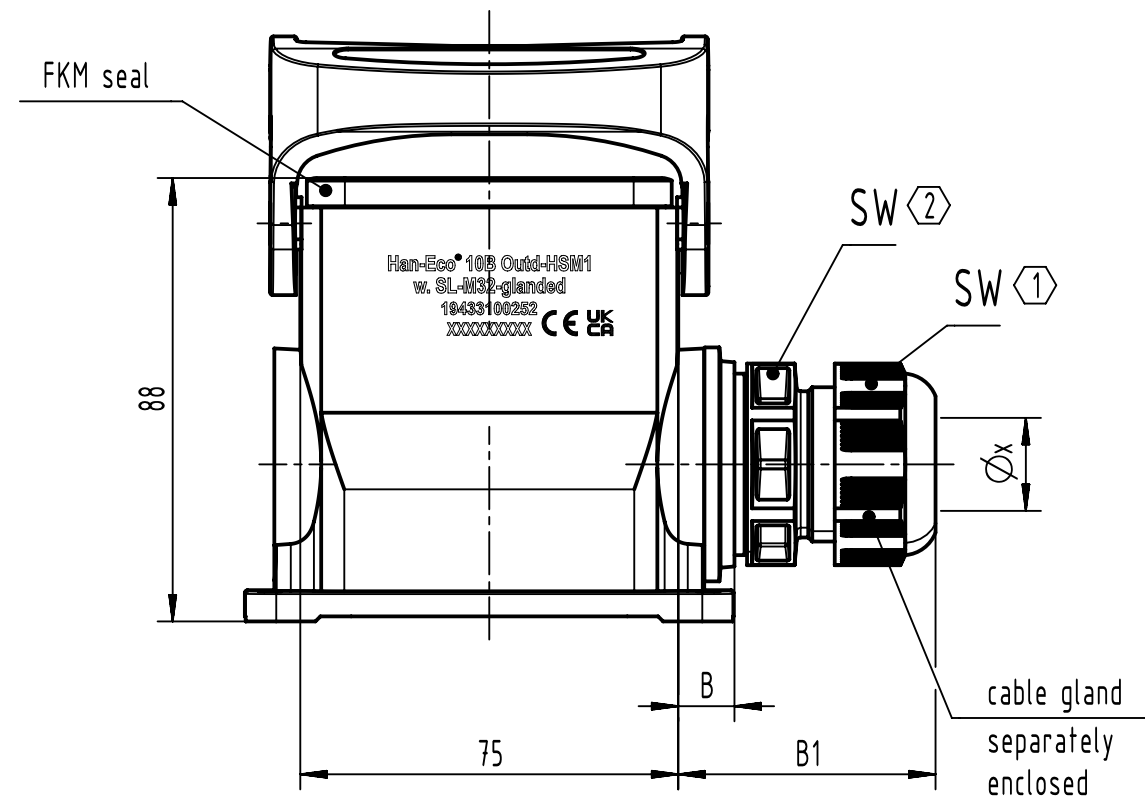
B

C

D

E

F



exemplary shown article: 19433100252  
item 1-3 excluding cable gland

6	19433100252	Han-Eco 10B Outd-HSM1-w. SL-M32-glanded	11,2	51,0	36	13-21	4,0	15,0
5	19433100251	Han-Eco 10B Outd-HSM1-w. SL-M25-glanded	11,2	47,6	29	9-17	4,0	10,0
4	19433100250	Han-Eco 10B Outd-HSM1-w. SL-M20-glanded	11,2	44,6	24	6-13	3,0	4,0
3	19432100252	Han-Eco 10B Outd-HSM1-with SL-M32	11,2					
2	19432100251	Han-Eco 10B Outd-HSM1-with SL-M25	11,2					
1	19432100250	Han-Eco 10B Outd-HSM1-with SL-M20	11,2					
item	partnumber	partname	B	B1	SW	Øx	①	②
							tightening torque Nm	

	All rights reserved Department EL PD	All Dimensions in mm Original Size DIN A3		Scale 1:1,5	Free size tol.	Ref.	
		Created by HOLLERT	Inspected by HERBRECHTSME	Standardisation	Date 2023-06-12	State Final Release	
Title an-Eco 10B Outd-HSM1-w. SL-Mxx-xx						Doc-Key / ECM-Nr. 100742673/UGD/004/B 50000243532	
HARTING D-32339 Espelkamp		Type TB	Number 19 43 Y10 025X			Rev. B	Page 1/1