

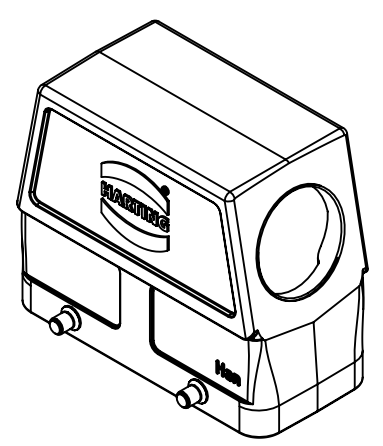
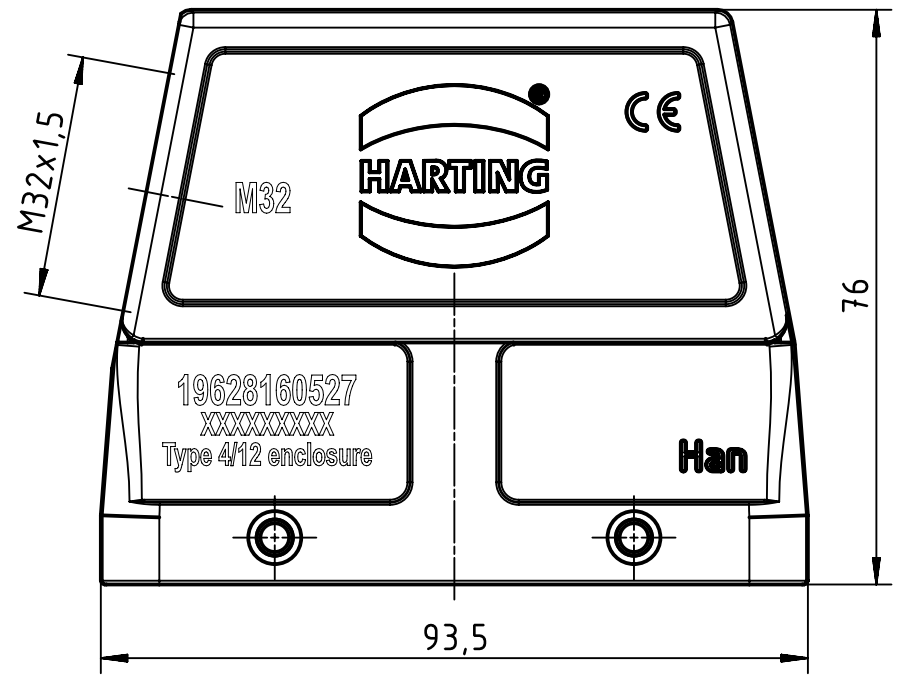
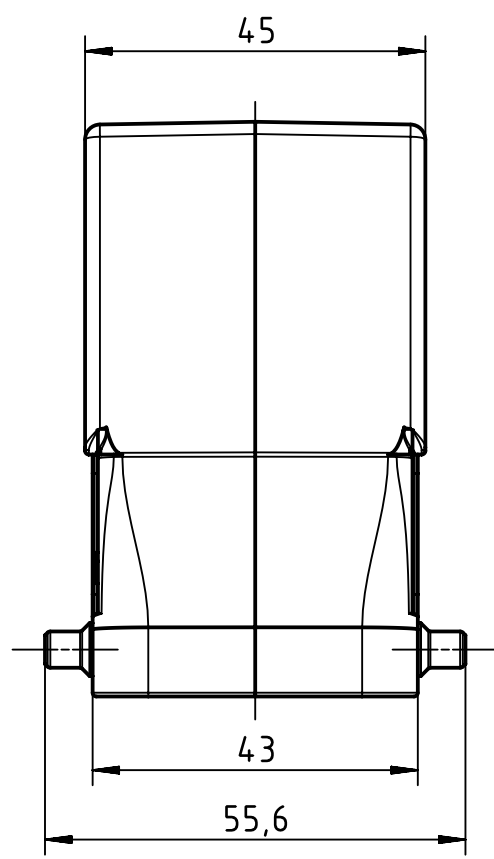
1 2 3 4 5 6

A

B

C

D



	All Dimensions in mm Original Size DIN A4		Scale 1:1	Free size tol.		Ref.
						Sub.
	All rights reserved		Created by OLFERTM	Inspected by GERB	Standardisation RUETERA	Date 2020-07-14
	Department EL PD					State Final Release
HARTING Electric GmbH & Co. KG D-32339 Espelkamp			Title Han 16EMC/B-HSE-M32 (HT)			Doc-Key / ECM-Nr. 100223048/UGD/002/F 500000175894
			Type TB	Number 19 62 816 0527		Rev. F Page 1/1